

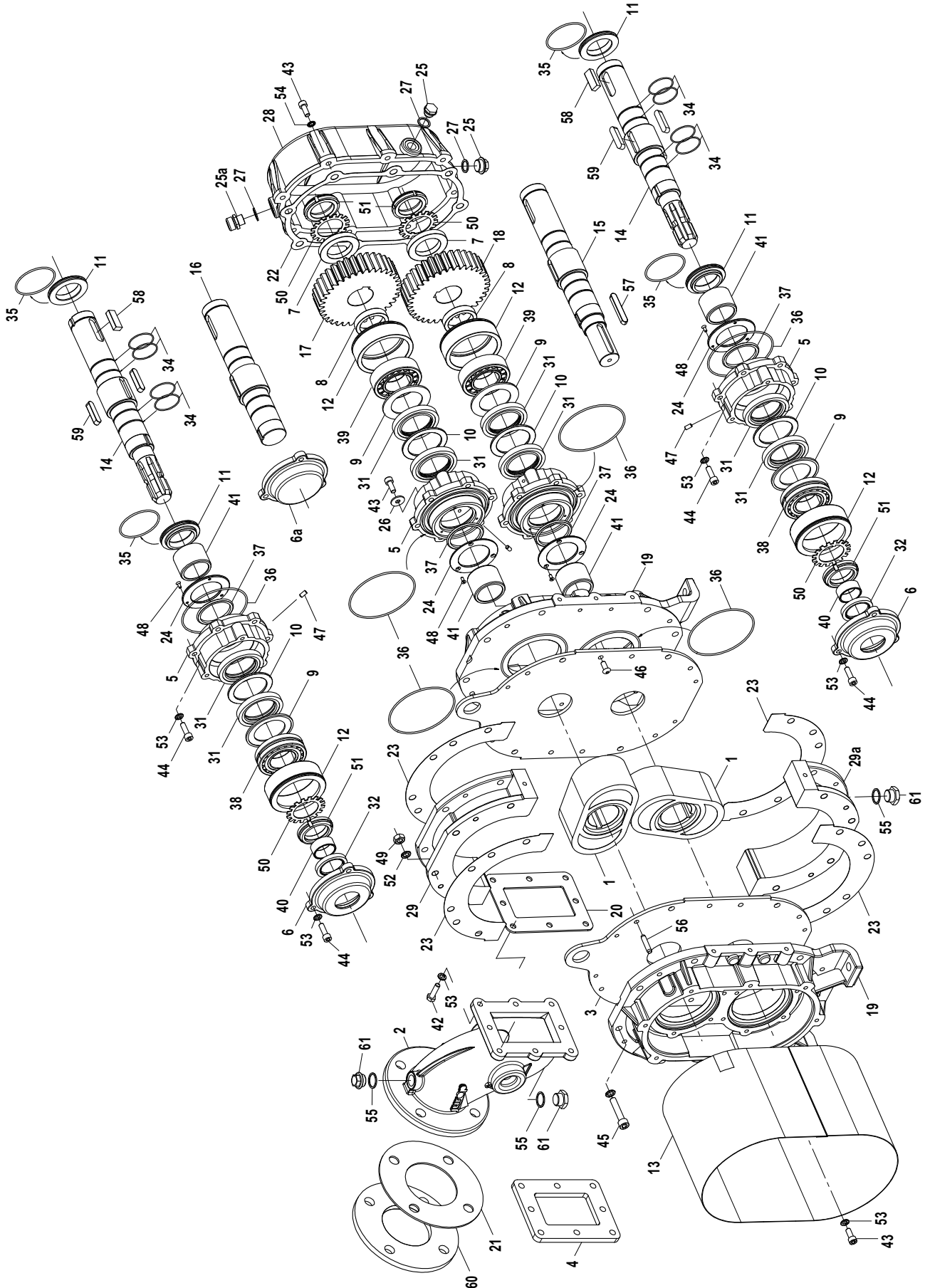
ERSATZTEILE

PUMPE VL



VL 7 - 40 T.T. / 7 - 9 BAR MIT VERSTÄRKTER DREIFACHDICHTUNG

VL7 TRIPLE SEAL (T.T.)

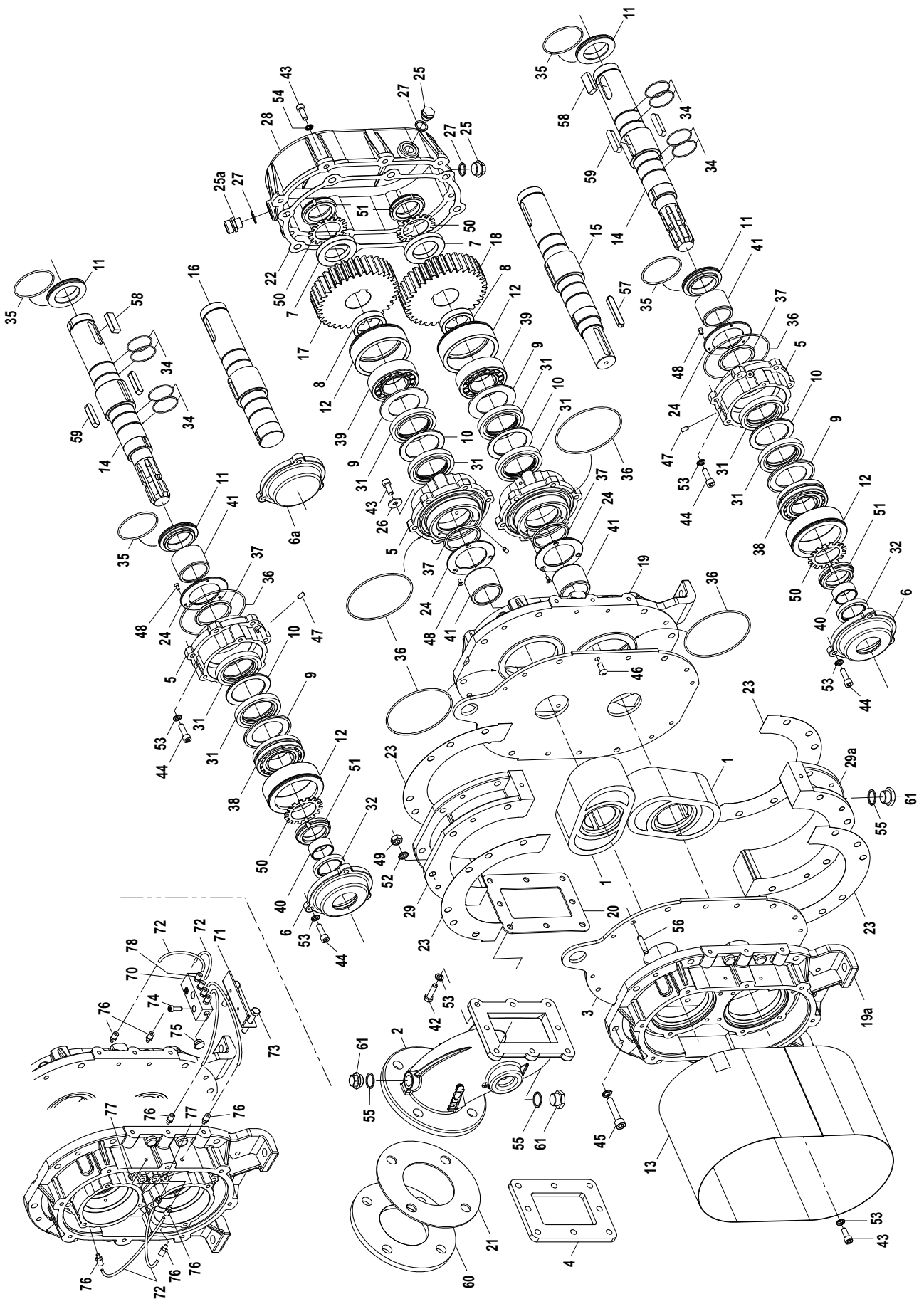


VL7 Triple Seal (T.T. – “10 bar”)

| Pos. | Code | Description | Q.ty | Pos. | Code | Description | Q.ty |
|------|------------|-----------------------------------|-------|------------|--------------------------------|----------------------------|------|
| 1 | 1503601800 | VL LOBE NBR | (*) 2 | 37 | 4022203206 | RING TEFLON 55X66X4,2 | 4 |
| | 1503601900 | VL LOBE VITON | (*) 2 | 38 | 4023105010 | BEARING 22209 E/C3 | 2 |
| | 1503602400 | VL LOBE EPDM | (*) 2 | 39 | 4023110049 | BERING NU 2209 ECP | 2 |
| | 1503603100 | VL LOBE POLYURETHANE | (*) 2 | 40 | 4023130009 | BUSHING 35X40X17 IR | 2 |
| 2 | 1627507400 | COLLECTOR VL7 DN80 PN6 | 2 | 41 | 4023130036 | BUSHING 55X45X40 INA V | 4 |
| | 1627507700 | COLLECTOR VL7 DN80 PN6 BY-PASS | 2 | | 1624012500 | BUSHING VL CERAMISED | 4 |
| 3 | 1610009300 | WEAPROOF PLATE | 2 | 42 | 4026102807 | SCREW TE 8,8 M8X25 | 16 |
| | 1610014600 | WEAPROOF PLATE CERAMISED | 2 | 43 | 4026121405 | SCREW TCEI 8,8 M8X20 | 18 |
| 4 | 1610011400 | IN/OUTLET FLANGE | 2 | 44 | 4026121407 | SCREW TCEI 8,8 M8X25 | 30 |
| 5 | 1610506800 | BEARING FLANGE | 4 | 45 | 4026121813 | SCREW TCEI 8,8 M8X50 | 16 |
| 6 | 1610507000 | FRONT FLANGE VL TT | 2 | 46 | 4026121504 | SCREW TBEI 10,9 M8X18 | 8 |
| 6a | 1510500100 | FRONT FLANGE VL TT BLIND | 1 | 47 | 4026136205 | SET SCREW 12,9 | 4 |
| 7 | 1624009900 | GEAR PLACER VL | 2 | 48 | 4026155302 | SCREW INOX 304 TSPEI M4X10 | 12 |
| 8 | 1624012700 | SPACER VL TT | 2 | 49 | 4026308006 | NUT M10 | 16 |
| 9 | 1624012800 | SPACER BERING VL TT | 4 | 50 | 4026306309 | SAFETY RING | 4 |
| 10 | 1624012900 | VL SEAL PLACER TT | 4 | 51 | 4026306509 | SELFLOCKING RING M45X1,5 | 4 |
| 11 | 1626000700 | BUSHING VL TT | 4 | 52 | 4026350708 | GROWER WASHER M10 | 16 |
| 12 | 1626000800 | BEARING BUSH TT | 4 | 53 | 4026350706 | SPRING WASHER Ø8,4 ZINC | 50 |
| 13 | 1642005700 | PROTECTION | 1 | 54 | 4026351505 | SPRING WASHER M8 | 8 |
| 14 | 1650008200 | AXLE VL7 | 2 | 55 | 4026359003 | FLAT WASHER 21.5X26X1,5 | 5 |
| 15 | 1650008300 | AXLE VL7 SMOOTH | 1 | 56 | 4026410013 | ELASTIC PIN SIROL 8X36 | 8 |
| 16 | 1650008400 | BLIND AXLE | 1 | 57 | 4026500911 | KEY 10X8X63 | 1 |
| 17 | 1651002500 | UPPER GEAR VL 7 | 1 | 58 | 4026501500 | KEY 14X9X36 | 2 |
| 18 | 1651003400 | LOWER GEAR VL 7 | 1 | 59 | 4026503500 | KEY 10X9X45 | 4 |
| 19 | 16625CXSB0 | HOUSING VL TT | 2 | 60 | 4026713006 | COLLECTOR FLANGE DN80 PN6 | 2 |
| 20 | 1680606200 | VL 7 INLET GASKETS | 2 | 61 | 4026904001 | PLUG G1/2" | 5 |
| 21 | 1680606300 | MANIFOLD FLANGE GASKET DN80 PN6 | 2 | | | | |
| 22 | 1680703500 | OIL TANK GASKET | 1 | | | | |
| 23 | 1680705000 | HOUSING GASKET VL | 4 | | | | |
| 24 | 1681005800 | WEAR PLATE SEAL GASKET | 4 | | | | |
| 25 | 1684000000 | VENT G3/8" | 2 | | | | |
| 25a | 4026910001 | VENT PLUG G3/8" | 1 | | | | |
| 26 | 1685005100 | WASHER VL7-40 | 6 | | | | |
| 27 | 1685100200 | ALUMINIUM WASHER | 3 | | | | |
| 28 | 1687100600 | OIL TANK VL | 1 | | | | |
| 29 | 1687503700 | PUMP HOUSING VL7 | 1 | | | | |
| | 1687505200 | PUMP HOUSING VL7 CERAMISED | 1 | | | | |
| 29a | 1687510400 | PUMP HOUSING WITH HOLE VL7 | 1 | | | KIT GASKET | |
| | 1687510700 | PUMP HOUSING WITH HOLE VL7 CERAM. | 1 | | | | |
| 31 | 4022200106 | SEAL RING DOMSEL AB NBR | (*) 8 | 1892001200 | KIT GASKET V7..40 TT/TTL NBR | | |
| | 4022200107 | SEAL RING DOMSEL AB VITON | (*) 8 | 1892001300 | KIT GASKET V7..40 TT/TTL VITON | | |
| 32 | 4022200027 | SEAL RING 55X40X8 | 2 | | | | |
| 34 | 4022200212 | OR 2162 | 8 | | | | |
| 35 | 4022200242 | OR 3256 | 4 | | | | |
| 36 | 4022200286 | OR 3450 | 8 | | | | |

(*) Specify the material

VL7 TRIPLE SEAL WITH LUBRICATION (T.T.L.)

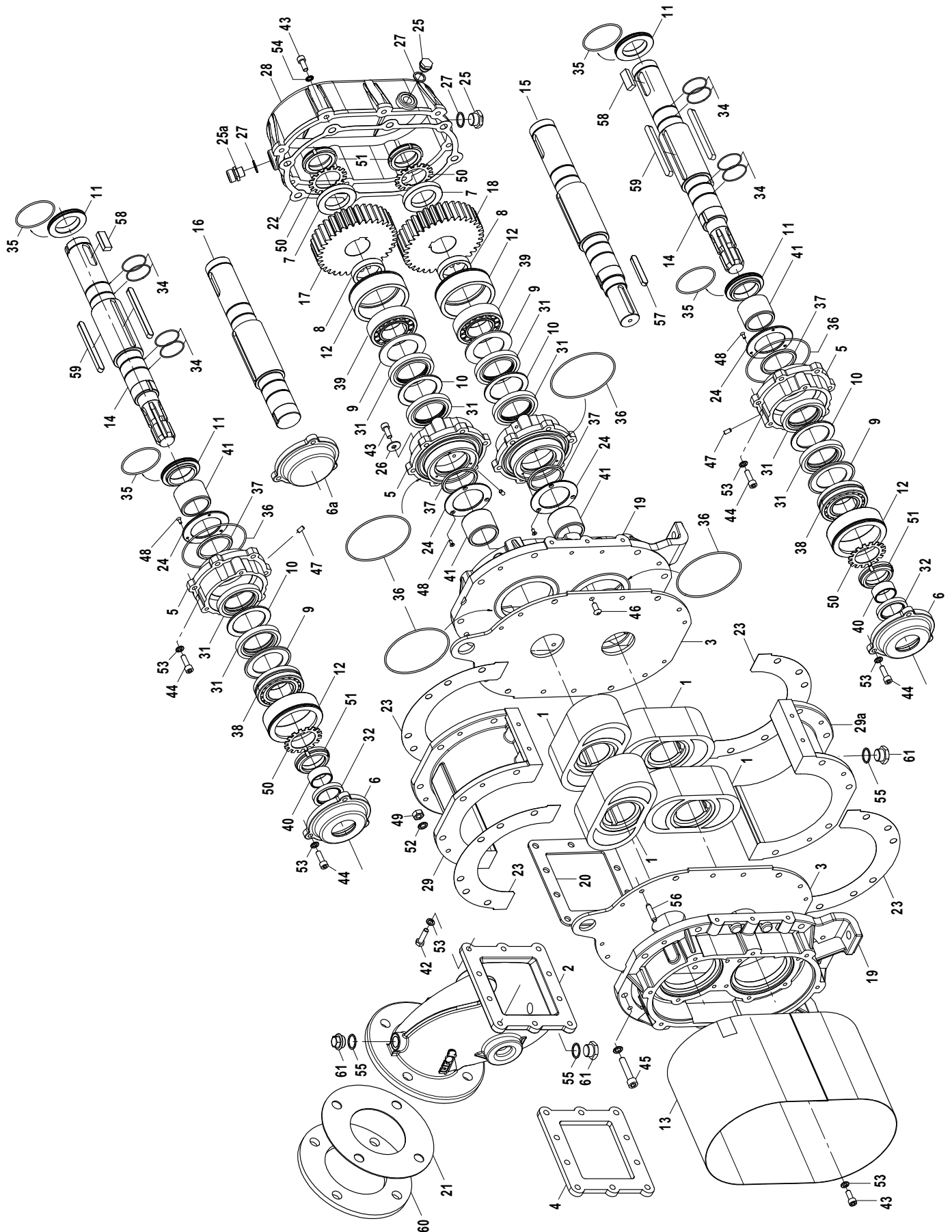


VL7 Triple seal with lubrication (T.T.L. – “10 bar - lubric.”)

| Pos. | Code | Description | Q.ty | Pos. | Code | Description | Q.ty |
|------|------------|-----------------------------------|-------|------|------------|--------------------------------|------|
| 1 | 1503601800 | VL LOBE NBR | (*) 2 | 37 | 4022203206 | RING TEFLON 55X66X4,2 | 4 |
| | 1503601900 | VL LOBE VITON | (*) 2 | 38 | 4023105010 | GEAR 22209 E/C3 | 2 |
| | 1503602400 | VL LOBE EPDM | (*) 2 | 39 | 4023110049 | GEAR NU 2209 ECP | 2 |
| | 1503603100 | VL LOBE POLIURETANO | (*) 2 | 40 | 4023130009 | BUSHING 35X40X17 IR | 2 |
| 2 | 1627507400 | COLLECTOR VL7 DN80 PN6 | 2 | 41 | 4023130036 | BUSHING 55X45X40 INA V | 4 |
| | 1627507700 | COLLECTOR VL7 DN80 PN6 BY-PASS | 2 | | 1624012500 | BUSHING VL CERAMISED | 4 |
| 3 | 1610009300 | WEAPROOF PLATE | 2 | 42 | 4026102807 | SCREW TE 8,8 M8X25 | 14 |
| | 1610014600 | WEAPROOF PLATE CERAMISED | 2 | 43 | 4026121405 | SCREW TCEI 8,8 M8X20 | 18 |
| 4 | 1610011400 | IN/OUTLET FLANGE | 2 | 44 | 4026121407 | SCREW TCEI 8,8 M8X25 | 30 |
| 5 | 1610509400 | BEARING FLANGE | 4 | 45 | 4026121813 | SCREW TCEI 8,8 M8X50 | 16 |
| 6 | 1610507000 | FRONT FLANGE VL | 2 | 46 | 4026121504 | SCREW TBEI 10,9 M8X18 | 8 |
| 6a | 1510500100 | FRONT FLANGE VL TT BLIND | 1 | 47 | 4026136205 | SET SCREW 12,9 | 4 |
| 7 | 1624009900 | GEAR PLACER | 2 | 48 | 4026155302 | SCREW INOX 304 TSPEI M4X10 | 12 |
| 8 | 1624012700 | SPACER VL 10 BAR | 2 | 49 | 4026308006 | NUT M10 | 16 |
| 9 | 1624012800 | SPACER BERING VL TT | 4 | 50 | 4026306309 | SAFETY RING | 4 |
| 10 | 1624020000 | VL SEAL PLACER TT | 4 | 51 | 4026306509 | SELFLOCKING RING M45X1,5 | 4 |
| 11 | 1626000700 | BUSHING VL TT | 4 | 52 | 4026350708 | GROWER WASHER M10 | 16 |
| 12 | 1626000800 | BEARING BUSH | 4 | 53 | 4026350706 | SPRING WASHER Ø8,4 ZINC | 48 |
| 13 | 1642005700 | PROTECTION | 1 | 54 | 4026351505 | SPRING WASHER M8 | 8 |
| 14 | 1650008200 | AXLE VL7 D.55 | 2 | 55 | 4026359003 | FLAT WASHER 21.5X26X1,5 | 5 |
| 15 | 1650008300 | ELECTRIC MOTOR AXLE | 1 | 56 | 4026410013 | ELASTIC PIN SIROL 8X36 | 8 |
| 16 | 1650008400 | BLIND AXLE | 1 | 57 | 4026500911 | KEY FOR ELECTRIC MOTOR | 1 |
| 17 | 1651002500 | UPPER GEAR VL | 1 | 58 | 4026501500 | KEY 14X9X36 | 2 |
| 18 | 1651003400 | LOWER GEAR VL | 1 | 59 | 4026503500 | KEY 10X9X45 6604 | 4 |
| 19 | 1662500300 | HOUSING SX VL TTL | 1 | 60 | 4026713006 | COLLECTOR FLANGE DN80 PN6 | 2 |
| 19a | 1662501000 | HOUSING DX VL TTL | 1 | 61 | 4026904001 | PLUG G1/2" | 5 |
| 20 | 1680606200 | VL 14 INLET GASKETS | 2 | | | | |
| 21 | 1680606300 | MANIFOLD FLANGE GASKET | 2 | | | | |
| 22 | 1680703500 | OIL TANK GASKET | 1 | | | | |
| 23 | 1680705000 | HOUSING GASKET | 4 | 70 | 1608100900 | OIL DISTRIBUTOR TT | 1 |
| 24 | 1681005800 | WEAR PLATE SEAL GASKET | 4 | 71 | 1612034100 | DISTRIBUTOR PLATE HOLDER | 1 |
| 25 | 1684000000 | VENT G3/8" | 2 | 72 | 4021102002 | PIPING Ø4 | 0,8m |
| 25a | 4026910001 | VENT PLUG G3/8" | 1 | 73 | 4026102808 | SCREW TE 8,8 M8X30 | 2 |
| 26 | 1685005100 | WASHER VL7-VL40 | 6 | 74 | 4026121306 | SCREW TCEI M6X18 | 2 |
| 27 | 1685100200 | ALUMINIUM WASHER | 3 | 75 | 4026905001 | PLUG G1/8" | 2 |
| 28 | 1687100600 | OIL TANK VL | 1 | 76 | 4027420517 | STRAIGHT FITTING Ø4 M5 | 12 |
| 29 | 1687503700 | PUMP HOUSING VL7 | 1 | 77 | 4026135304 | SCREW S.T. M5X8 | 4 |
| | 1687505200 | PUMP HOUSING VL7 CERAMISED | 1 | 78 | 4027421220 | FITTING 90° Ø4 M5 | 4 |
| 29a | 1687510400 | PUMP HOUSING WITH HOLE VL7 | 1 | | | | |
| | 1687510700 | PUMP HOUSING WITH HOLE VL7 CERAM. | 1 | | | | |
| 31 | 4022200106 | SEAL RING DOMSEL AB NBR | (*) 8 | | | KIT GASKET | |
| | 4022200107 | SEAL RING DOMSEL AB VITON | (*) 8 | | | | |
| 32 | 4022200027 | SEAL RING 55X40X8 | 2 | | 1892001200 | KIT GASKET V7..40 TT/TTL NBR | |
| 34 | 4022200212 | OR 2162 | 8 | | 1892001300 | KIT GASKET V7..40 TT/TTL VITON | |
| 35 | 4022200242 | OR 3256 | 4 | | | | |
| 36 | 4022200286 | OR 3450 | 8 | | | | |

(*) Specify the material

VL14 TRIPLE SEAL (T.T.)

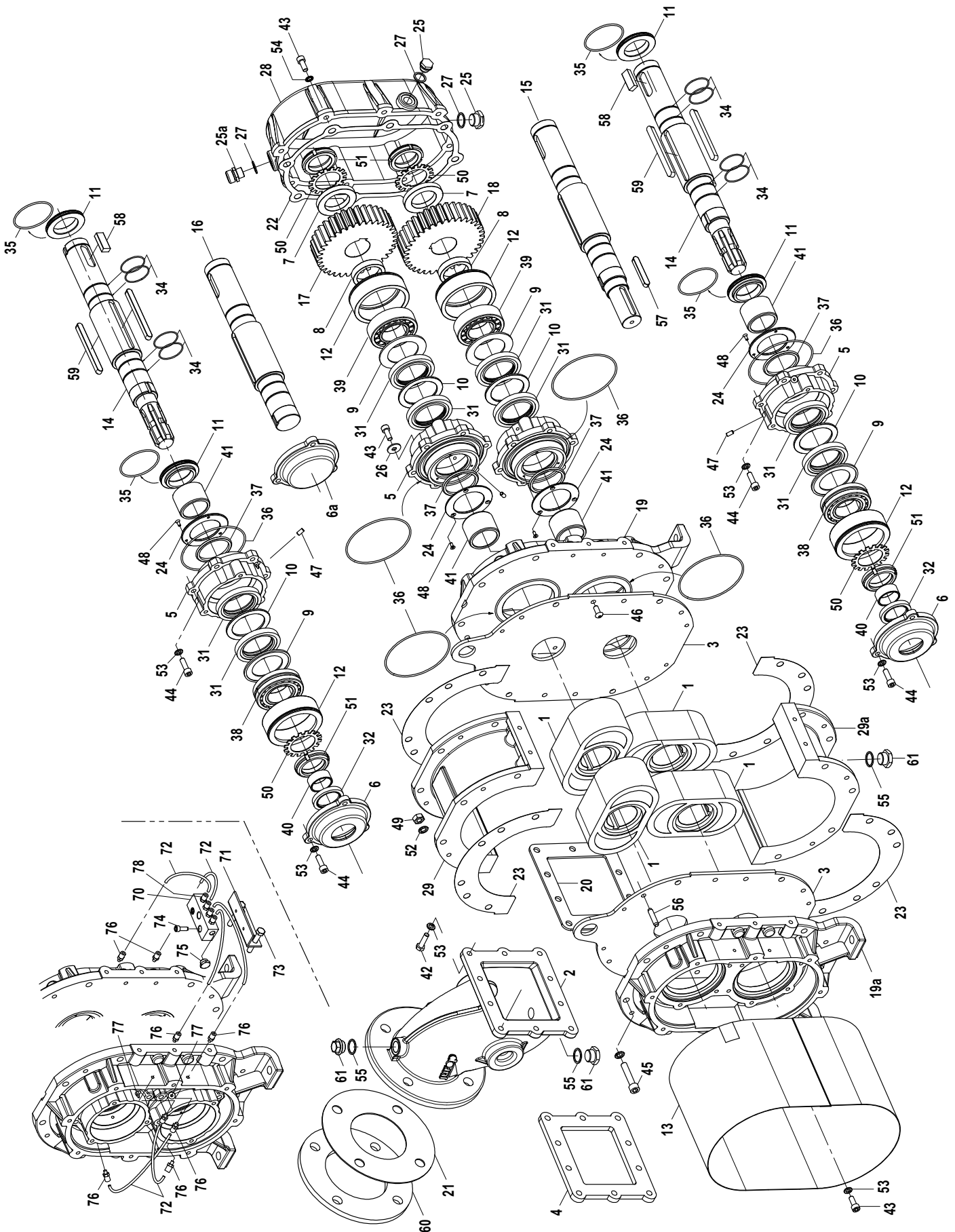


VL14 Triple seal (T.T. – “10 bar”)

| Pos. | Code | Description | Q.ty | Pos. | Code | Description | Q.ty |
|------|------------|----------------------------------|-------|------------|------------|--------------------------------|------|
| 1 | 1503601400 | END PISTON VL NBR | (*) 4 | 34 | 4022200212 | OR 2162 | 8 |
| | 1503601600 | END PISTON VL VITON | (*) 4 | 35 | 4022200242 | OR 3256 | 4 |
| | 1503600700 | END PISTON VL EPDM | (*) 4 | 36 | 4022200286 | OR 3450 | 8 |
| | 1503603000 | END PISTON VL POLYURET. | (*) 4 | 37 | 4022203206 | RING TEFLON 55X66X4,2 | 4 |
| 2 | 1627508600 | COLLECTOR VL DN100 PN6 | 2 | 38 | 4023105010 | GEAR 22209 E/C3 | 2 |
| | 1627508400 | COLLECTOR VL DN100 PN10 | 2 | 39 | 4023110049 | GEAR NU 2209 ECP | 2 |
| | 1627508700 | COLLECTOR VL DN100 PN6 BY-PASS | 2 | 40 | 4023130009 | BUSHING 35X40X17 IR | 2 |
| | 1627508500 | COLLECTOR VL DN100 PN10 BY-PASS | 2 | 41 | 4023130036 | BUSHING 55X45X40 INA V | 4 |
| 3 | 1610009300 | WEAPROOF PLATE | 2 | | 1624012500 | BUSHING VL CERAMISED | 4 |
| | 1610014600 | WEAPROOF PLATE CERAMISED | 2 | 42 | 4026102807 | SCREW TE 8,8 M8X25 | 20 |
| 4 | 1610011300 | IN/OUTLET FLANGE | 2 | 43 | 4026121405 | SCREW TCEI 8,8 M8X20 | 18 |
| 5 | 1610506800 | BEARING FLANGE | 4 | 44 | 4026121407 | SCREW TCEI 8,8 M8X25 | 30 |
| 6 | 1610507000 | FRONT FLANGE VL TT | 2 | 45 | 4026121813 | SCREW TCEI 8,8 M8X50 | 16 |
| 6A | 1510500100 | FRONT FLANGE VL TT BLIND | 1 | 46 | 4026121504 | SCREW TBEI 10,9 M8X18 | 8 |
| 7 | 1624009900 | GEAR PLACER | 2 | 47 | 4026136205 | SET SCREW 12,9 | 4 |
| 8 | 1624012700 | SPACER VL TT | 2 | 48 | 4026155302 | SCREW INOX 304 TSPEI M4X10 | 12 |
| 9 | 1624012800 | SPACER BERING VL TT | 4 | 49 | 4026308006 | NUT M10 | 16 |
| 10 | 1624012900 | VL SEAL PLACER | 4 | 50 | 4026306309 | SAFETY RING | 4 |
| 11 | 1626000700 | BUSHING VL TT | 4 | 51 | 4026306509 | SELFLOCKING RING M45X1,5 | 4 |
| 12 | 1626000800 | BEARING BUSH | 4 | 52 | 4026350708 | GROWER WASHER M10 | 16 |
| 13 | 1642005700 | PROTECTION | 1 | 53 | 4026350706 | SPRING WASHER Ø8,4 ZINC | 54 |
| 14 | 1650007400 | AXLE VL14 D.55 | 2 | 54 | 4026351505 | SPRING WASHER M8 | 8 |
| 15 | 1650007500 | ELECTRIC MOTOR AXLE | 1 | 55 | 4026359003 | FLAT WASHER 21.5X26X1,5 | 5 |
| 16 | 1650007600 | BLIND AXLE | 1 | 56 | 4026410013 | ELASTIC PIN SIROL 8X36 | 8 |
| 17 | 1651002500 | UPPER GEAR VL | 1 | 57 | 4026500911 | KEY FOR ELECTRIC MOTOR | 1 |
| 18 | 1651003400 | LOWER GEAR VL | 1 | 58 | 4026501500 | KEY 14X9X36 | 2 |
| 19 | 16625CXSB0 | HOUSING VL TT | 2 | 59 | 4026503505 | KEY 10X9X110 6604 | 4 |
| 20 | 1680605500 | MANIFOLD FLANGE GASKET | 2 | 60 | 4026713007 | MANIFOLD FLANGE VL14 DN100 | 2 |
| 21 | 1680604700 | VL 14 INLET GASKETS DN100 PN6 | 2 | | 4026713409 | FLANGE ND 100 | 2 |
| | 16807X7WA0 | VL 14 INLET GASKETS DN100 PN10 | 2 | 61 | 4026904001 | PLUG G1/2" | 5 |
| 22 | 1680703500 | OIL TANK GASKET | 1 | | | | |
| 23 | 1680705000 | HOUSING GASKET | 4 | | | | |
| 24 | 1681005800 | WEAR PLATE SEAL GASKET | 4 | | | | |
| 25 | 1684000000 | VENT G3/8" | 2 | | | | |
| 25A | 4026910001 | VENT PLUG G3/8" | 1 | | | | |
| 26 | 1685005100 | WASHER VL7-VL40 | 6 | | | | |
| 27 | 1685100200 | ALUMINIUM WASHER | 3 | | | | |
| 28 | 1687100600 | OIL TANK VL | 1 | | | | |
| 29 | 1687503200 | PUMP HOUSING VL14 | 1 | | | KIT GASKET | |
| | 1687504900 | PUMP HOUSING VL14 CERAMISED | 1 | | | | |
| 29A | 1687510500 | PUMP HOUSING WITH HOLE VL14 | 1 | 1892001200 | | KIT GASKET V7..40 TT/TTL NBR | |
| | 1687510800 | PUMP HOUSING WITH HOLE VL14 CER. | 1 | 1892001300 | | KIT GASKET V7..40 TT/TTL VITON | |
| 31 | 4022200106 | SEAL RING DOMSEL AB NBR | (*) 8 | | | | |
| | 4022200107 | SEAL RING DOMSEL AB VITON | (*) 8 | | | | |
| 32 | 4022200027 | SEAL RING 55X40X8 | 2 | | | | |

(*) Specify the material

VL14 TRIPLE SEAL WITH LUBRICATION (T.T.L.)

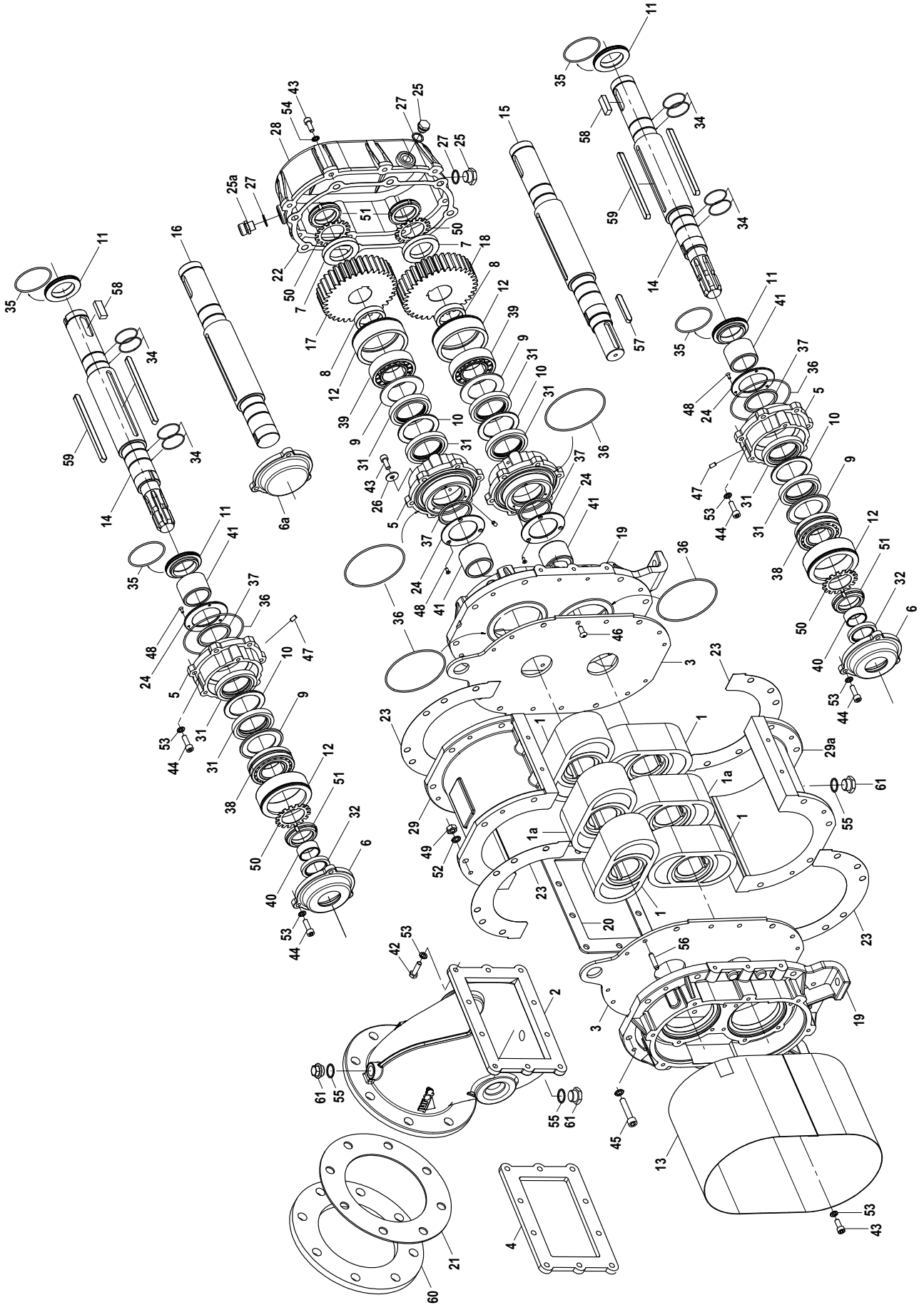


VL14 Triple seal with lubrication (T.T.L. – “10 bar – lubric.”)

| Pos. | Code | Description | Q.ty | Pos. | Code | Description | Q.ty |
|------|------------|------------------------------------|-------|------|------------|--------------------------------|------|
| 1 | 1503601400 | END PISTON VL NBR | (*) 4 | 34 | 4022200212 | OR 2162 | 8 |
| | 1503601600 | END PISTON VL VITON | (*) 4 | 35 | 4022200242 | OR 3256 | 4 |
| | 1503600700 | END PISTON VL EPDM | (*) 4 | 36 | 4022200286 | OR 3450 | 8 |
| | 1503603000 | END PISTON VL POLYURET. | (*) 4 | 37 | 4022203206 | RING TEFLON 55X66X4,2 | 4 |
| 2 | 1627508600 | COLLECTOR VL DN100 PN6 | 2 | 38 | 4023105010 | BEARING 22209 E/C3 | 2 |
| | 1627508400 | COLLECTOR VL DN100 PN10 | 2 | 39 | 4023110049 | BERING NU 2209 ECP | 2 |
| | 1627508700 | COLLECTOR VL DN100 PN6 BY-PASS | 2 | 40 | 4023130009 | BUSHING 35X40X17 IR | 2 |
| | 1627508500 | COLLECTOR VL DN100 PN10 BY-PASS | 2 | 41 | 4023130036 | BUSHING 55X45X40 | 4 |
| 3 | 1610009300 | WEAPROOF PLATE | 2 | | 1624012500 | BUSHING VL CERAMISED | 4 |
| | 1610014600 | WEAPROOF PLATE CERAMISED | 2 | 42 | 4026102807 | SCREW TE 8,8 M8X25 | 18 |
| 4 | 1610011300 | IN/OUTLET FLANGE | 2 | 43 | 4026121405 | SCREW TCEI 8,8 M8X20 | 18 |
| 5 | 1610509400 | BEARING FLANGE | 4 | 44 | 4026121407 | SCREW TCEI 8,8 M8X25 | 30 |
| 6 | 1610507000 | FRONT FLANGE VL TTL | 2 | 45 | 4026121813 | SCREW TCEI 8,8 M8X50 | 16 |
| 6a | 1510500100 | FRONT FLANGE VL TT BLIND | 1 | 46 | 4026121504 | SCREW TBEI 10,9 M8X18 | 8 |
| 7 | 1624009900 | GEAR PLACER | 2 | 47 | 4026136205 | SET SCREW 12,9 | 4 |
| 8 | 1624012700 | SPACER VL TTL | 2 | 48 | 4026155302 | SCREW INOX 304 TSPEI M4X10 | 12 |
| 9 | 1624012800 | SPACER BERING VL TT | 4 | 49 | 4026308006 | NUT M10 | 16 |
| 10 | 1624020000 | VL SEAL PLACER | 4 | 50 | 4026306309 | SAFETY RING | 4 |
| 11 | 1626000700 | BUSHING VL TTL | 4 | 51 | 4026306509 | SELFLOCKING RING M45X1,5 | 4 |
| 12 | 1626000800 | BEARING BUSH | 4 | 52 | 4026350708 | GROWER WASHER M10 | 16 |
| 13 | 1642005700 | PROTECTION | 1 | 53 | 4026350706 | SPRING WASHER Ø8,4 ZINC | 52 |
| 14 | 1650007400 | AXLE VL14 D.55 | 2 | 54 | 4026351505 | SPRING WASHER M8 | 8 |
| 15 | 1650007500 | ELECTRIC MOTOR AXLE | 1 | 55 | 4026359003 | FLAT WASHER 21,5X26X1,5 | 5 |
| 16 | 1650007600 | BLIND AXLE | 1 | 56 | 4026410013 | ELASTIC PIN SIROL 8X36 | 8 |
| 17 | 1651002500 | TREATED GEAR VL | 1 | 57 | 4026500911 | KEY 10X8X63 | 1 |
| 18 | 1651003400 | GEAR VL | 1 | 58 | 4026501500 | KEY 14X9X36 | 2 |
| 19 | 1662500300 | HOUSING SX VL TTL | 1 | 59 | 4026503505 | KEY 10X9X110 6604 | 4 |
| 19a | 1662501000 | HOUSING DX VL TTL | 1 | 60 | 4026713007 | MANIFOLD FLANGE VL14 DN100 | 2 |
| 20 | 1680605500 | MANIFOLD FLANGE GASKET | 2 | | 4026713409 | FLANGE DN 100 | 2 |
| 21 | 1680604700 | VL 14 INLET GASKETS | 2 | 61 | 4026904001 | DRAIN PLUG G½" | 5 |
| | 16807X7WA0 | MANIFOLD GASKET DN100 | 2 | | | | |
| 22 | 1680703500 | OIL TANK GASKET | 1 | | | | |
| 23 | 1680705000 | HOUSING GASKET | 4 | 70 | 1608100900 | OIL DISTRIBUTOR TT | 1 |
| 24 | 1681005800 | PLATE SEAL | 4 | 71 | 1681008100 | DISTRIBUTOR PLATE HOLDER | 1 |
| 25 | 1684000000 | VENT G3/8" | 1 | 72 | 4021102002 | PIPING Ø4 | 0,8m |
| 25a | 4026910001 | VENT PLUG G3/8" | 1 | 73 | 4026102808 | SCREW TE 8,8 M8X30 | 2 |
| 26 | 1685005100 | WASHER VL | 6 | 74 | 4026121306 | SCREW TCEI M6X18 | 2 |
| 27 | 1685100200 | ALUMINIUM WASHER | 3 | 75 | 4026905001 | PLUG G1/8" | 2 |
| 28 | 1687100600 | OIL TANK VL | 1 | 76 | 4027420517 | STRAIGHT FITTING Ø4-M5 | 12 |
| 29 | 1687503200 | PUMP HOUSING VL14 | 1 | 77 | 4026135304 | SCREW S.T. M5X8 | 4 |
| | 1687504900 | PUMP HOUSING VL14 CERAMISED | 1 | 78 | 4027421220 | FITTING 90° Ø4 M5 | 4 |
| 29a | 1687510500 | PUMP HOUSING WITH HOLE VL14 | 1 | | | | |
| | 1687510800 | PUMP HOUSING WITH HOLE VL14 CERAM. | 1 | | | KIT GASKET | |
| 31 | 4022200106 | SEAL RING DOMSEL AB NBR | (*) 8 | | | | |
| | 4022200107 | SEAL RING DOMSEL AB VITON | (*) 8 | | 1892001200 | KIT GASKET V7..40 TT/TTL NBR | |
| 32 | 4022200027 | SEAL RING 55X40X8 | 2 | | 1892001300 | KIT GASKET V7..40 TT/TTL VITON | |

(*) Specify the material

VL20 TRIPLE SEAL (T.T.)

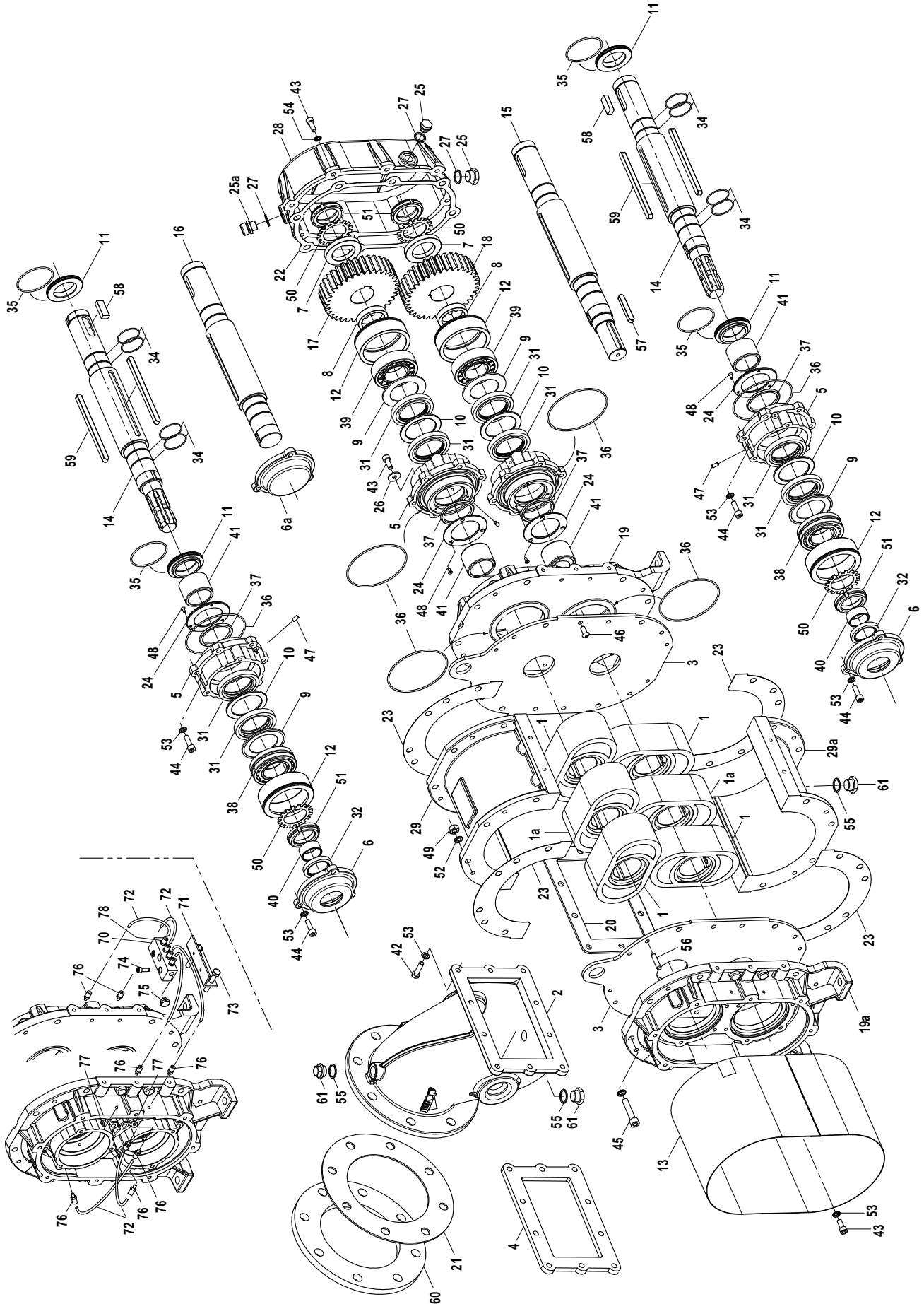


VL20 Triple Seal (T.T. – “10 bar”)

| Pos. | Code | Description | Q.ty | Pos. | Code | Description | Q.ty |
|------|------------|------------------------------------|-------|------------|------------|--------------------------------|------|
| 1 | 1503601400 | END PISTON VL NBR | (*) 4 | 32 | 4022200027 | SEAL RING 55X40X8 | 2 |
| | 1503601600 | END PISTON VL VITON | (*) 4 | 34 | 4022200212 | OR 2162 | 8 |
| | 1503600700 | END PISTON VL EPDM | (*) 4 | 35 | 4022200242 | OR 3256 | 4 |
| | 1503603000 | END PISTON VL POLYURET. | (*) 4 | 36 | 4022200286 | OR 3450 | 8 |
| 1a | 1503601500 | CENTRAL PISTON VL NBR | (*) 2 | 37 | 4022203206 | RING TEFLON 55X66X4,2 | 4 |
| | 1503601700 | CENTRAL PISTON VL VITON | (*) 2 | 38 | 4023105010 | BEARING 22209 E/C3 | 2 |
| | 1503602100 | CENTRAL PISTON VL EPDM | (*) 2 | 39 | 4023110049 | BERING NU 2209 ECP | 2 |
| | 1503602900 | CENTRAL PISTON VL POLIUR. | (*) 2 | 40 | 4023130009 | BUSHING 35X40X17 IR | 2 |
| 2 | 1627507500 | COLLECTOR VL20 DN150 PN6 | 2 | 41 | 4023130036 | BUSHING 55X45X40 | 4 |
| | 1627507800 | COLLECTOR VL20 DN150 PN6 BY-PASS | 2 | | 1624012500 | BUSHING VL CERAMISED | 4 |
| 3 | 1610009300 | WEAPROOF PLATE | 2 | 42 | 4026102807 | SCREW TE 8,8 M8X25 | 20 |
| | 1610014600 | WEAPROOF PLATE CERAMISED | 2 | 43 | 4026121405 | SCREW TCEI 8,8 M8X20 | 18 |
| 4 | 1610011100 | IN/OUTLET FLANGE | 2 | 44 | 4026121407 | SCREW TCEI 8,8 M8X25 | 30 |
| 5 | 1610506800 | BEARING FLANGE | 4 | 45 | 4026121813 | SCREW TCEI 8,8 M8X50 | 16 |
| 6 | 1610507000 | FRONT FLANGE VL TT | 2 | 46 | 4026121504 | SCREW TBEI 10,9 M8X18 | 8 |
| 6a | 1510500100 | FRONT FLANGE VL TT BLIND | 1 | 47 | 4026136205 | SET SCREW 12,9 | 4 |
| 7 | 1624009900 | GEAR PLACER | 2 | 48 | 4026155302 | SCREW INOX 304 TSPEI M4X10 | 12 |
| 8 | 1624012700 | SPACER VL TT | 2 | 49 | 4026308006 | NUT M10 | 16 |
| 9 | 1624012800 | SPACER BERING VL TT | 4 | 50 | 4026306309 | SAFETY RING | 4 |
| 10 | 1624012900 | VL SEAL PLACER | 4 | 51 | 4026306509 | SELFLOCKING RING M45X1,5 | 4 |
| 11 | 1626000700 | BUSHING VL TT | 4 | 52 | 4026350708 | GROWER WASHER M10 | 16 |
| 12 | 1626000800 | BEARING BUSH | 4 | 53 | 4026350706 | SPRING WASHER Ø8,4 ZINC | 54 |
| 13 | 1642005700 | PROTECTION | 1 | 54 | 4026351505 | SPRING WASHER M8 | 8 |
| 14 | 1650007700 | AXLE VL20 D.55 | 2 | 55 | 4026359003 | FLAT WASHER 21,5X26X1,5 | 5 |
| 15 | 1650007800 | ELECTRIC MOTOR AXLE | 1 | 56 | 4026410013 | ELASTIC PIN SIROL 8X36 | 8 |
| 16 | 1650007900 | BLIND AXLE | 1 | 57 | 4026500911 | KEY 10X8X63 | 1 |
| 17 | 1651002500 | TREATED GEAR VL | 1 | 58 | 4026501500 | KEY 14X9X36 | 2 |
| 18 | 1651003400 | GEAR VL | 1 | 59 | 4026503509 | KEY 10X9X160 6604 | 4 |
| 19 | 16625CXSB0 | HOUSING VL TT | 2 | 60 | 4026713009 | MANIFOLD FLANGE VL20 DN150 | 2 |
| 20 | 1680605600 | VL 20 INLET GASKETS | 2 | 61 | 4026904001 | DRAIN PLUG G1/2" | 5 |
| 21 | 1680606100 | MANIFOLD FLANGE GASKET | 2 | | | | |
| 22 | 1680703500 | OIL TANK GASKET | 1 | | | | |
| 23 | 1680705000 | HOUSING GASKET | 4 | | | | |
| 24 | 1681005800 | PLATE SEAL | 4 | | | | |
| 25 | 1684000000 | VENT G3/8" | 2 | | | | |
| 25a | 4026910001 | VENT PLUG G3/8" | 1 | | | | |
| 26 | 1685005100 | WASHER VL | 6 | | | | |
| 27 | 1685100200 | ALUMINIUM WASHER | 3 | | | | |
| 28 | 1687100600 | OIL TANK VL | 1 | | | | |
| 29 | 1687503300 | PUMP HOUSING VL20 | 1 | | | KIT GASKET | |
| | 1687505000 | PUMP HOUSING VL20 CERAMISED | 1 | | | | |
| 29a | 1687510600 | PUMP HOUSING WITH HOLE VL20 | 1 | 1892001200 | | KIT GASKET V7..40 TT/TTL NBR | |
| | 1687510900 | PUMP HOUSING WITH HOLE VL20 CERAM. | 1 | 1892001300 | | KIT GASKET V7..40 TT/TTL VITON | |
| 31 | 4022200106 | SEAL RING DOMSEL AB NBR | (*) 8 | | | | |
| | 4022200107 | SEAL RING DOMSEL AB VITON | (*) 8 | | | | |

(*) Specify the material

VL20 TRIPLE SEAL WITH LUBRICATION (T.T.L.)

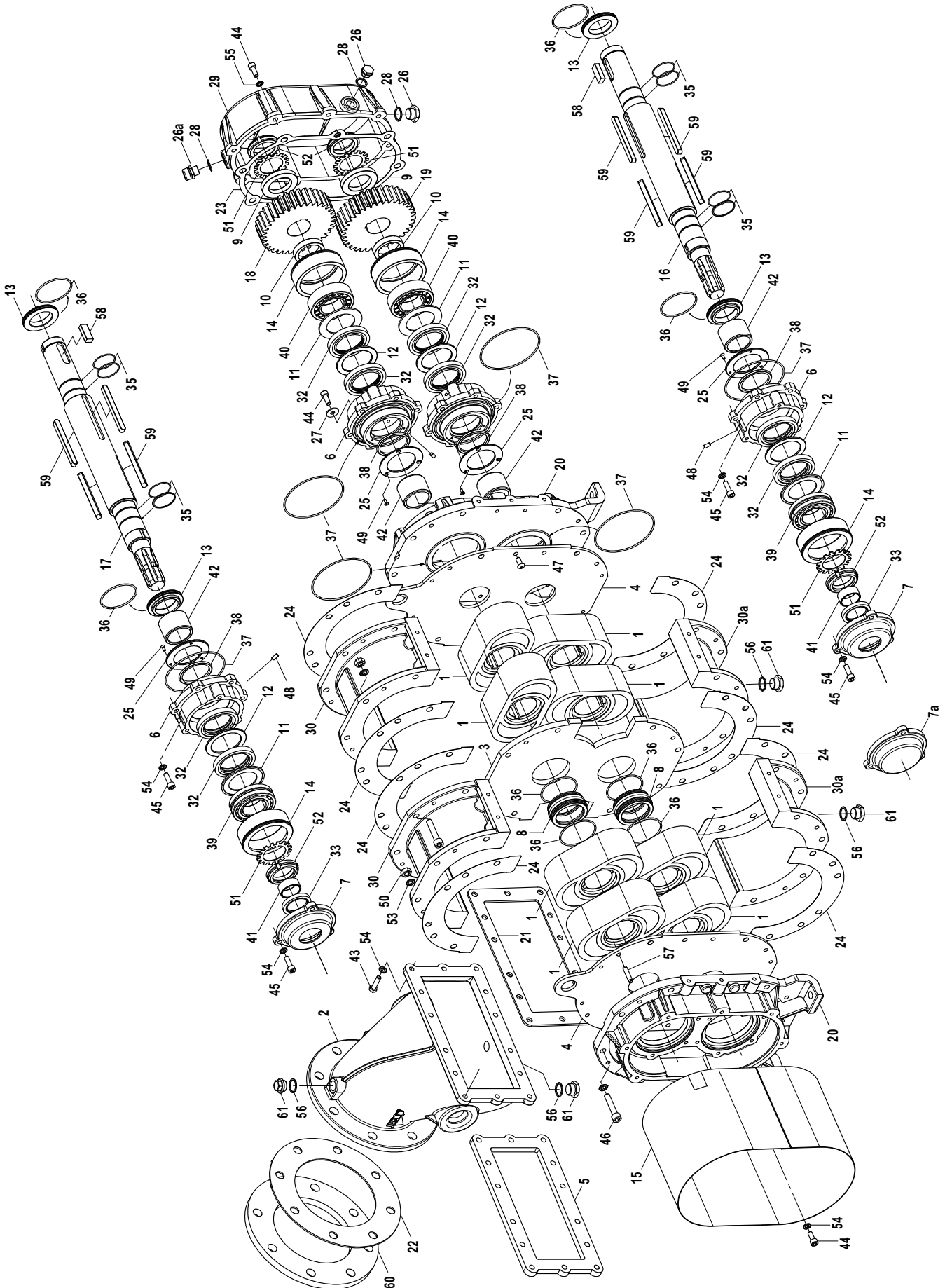


VL20 Triple seal with lubrication (T.T.L. – “10 bar – lubric.”)

| Pos. | Code | Description | Q.ty | Pos. | Code | Description | Q.ty |
|------|------------|------------------------------------|-------|------------|-------------------------------|----------------------------|------|
| 1 | 1503601400 | END PISTON VL NBR | (*) 4 | 32 | 4022200027 | SEAL RING 55X40X8 | 2 |
| | 1503601600 | END PISTON VL VITON | (*) 4 | 34 | 4022200212 | OR 2162 | 8 |
| | 1503600700 | END PISTON VL EPDM | (*) 4 | 35 | 4022200242 | OR 3256 | 4 |
| | 1503603000 | END PISTON VL POLYURET. | (*) 4 | 36 | 4022200286 | OR 3450 | 8 |
| 1a | 1503601500 | CENTRAL PISTON VL NBR | (*) 2 | 37 | 4022203206 | RING TEFLON 55X66X4,2 | 4 |
| | 1503601700 | CENTRAL PISTON VL VITON | (*) 2 | 38 | 4023105010 | BEARING 22209 E/C3 | 2 |
| | 1503602100 | CENTRAL PISTON VL EPDM | (*) 2 | 39 | 4023110049 | BERING NU 2209 ECP | 2 |
| | 1503602900 | CENTRAL PISTON VL POLIURET. | (*) 2 | 40 | 4023130009 | BUSHING 35X40X17 IR | 2 |
| 2 | 1627507500 | COLLECTOR VL20 DN150 PN6 | 2 | 41 | 4023130036 | BUSHING 55X45X40 | 4 |
| | 1627507800 | COLLECTOR VL20 DN150 PN6 BY-PASS | 2 | | 1624012500 | BUSHING VL CERAMISED | 4 |
| 3 | 1610009300 | WEAPROOF PLATE | 2 | 42 | 4026102807 | SCREW TE 8,8 M8X25 | 18 |
| | 1610014600 | WEAPROOF PLATE CERAMISED | 2 | 43 | 4026121405 | SCREW TCEI 8,8 M8X20 | 18 |
| 4 | 1610011100 | IN/OUTLET FLANGE | 2 | 44 | 4026121407 | SCREW TCEI 8,8 M8X25 | 30 |
| 5 | 1610509400 | BEARING FLANGE | 4 | 45 | 4026121813 | SCREW TCEI 8,8 M8X50 | 16 |
| 6 | 1610507000 | FRONT FLANGE VL TT | 2 | 46 | 4026121504 | SCREW TBEI 10,9 M8X18 | 8 |
| 6a | 1510500100 | FRONT FLANGE VL TT BLIND | 1 | 47 | 4026136205 | SET SCREW 12,9 | 4 |
| 7 | 1624009900 | GEAR PLACER | 2 | 48 | 4026155302 | SCREW INOX 304 TSPEI M4X10 | 12 |
| 8 | 1624012700 | SPACER VL TTL | 2 | 49 | 4026308006 | NUT M10 | 16 |
| 9 | 1624012800 | SPACER BERING VL TT | 4 | 50 | 4026306309 | SAFETY RING | 4 |
| 10 | 1624020000 | VL SEAL PLACER | 4 | 51 | 4026306509 | SELFLOCKING RING M45X1,5 | 4 |
| 11 | 1626000700 | BUSHING VL TTL | 4 | 52 | 4026350708 | GROWER WASHER M10 | 16 |
| 12 | 1626000800 | BEARING BUSH | 4 | 53 | 4026350706 | SPRING WASHER Ø8,4 ZINC | 52 |
| 13 | 1642005700 | PROTECTION | 1 | 54 | 4026351505 | SPRING WASHER M8 | 8 |
| 14 | 1650007700 | AXLE VL20 D.55 | 2 | 55 | 4026359003 | FLAT WASHER 21,5X26X1,5 | 5 |
| 15 | 1650007800 | ELECTRIC MOTOR AXLE | 1 | 56 | 4026410013 | ELASTIC PIN SIROL 8X36 | 8 |
| 16 | 1650007900 | BLIND AXLE | 1 | 57 | 4026500911 | KEY 10X8X63 | 1 |
| 17 | 1651002500 | TREATED GEAR VL | 1 | 58 | 4026501500 | KEY 14X9X36 | 2 |
| 18 | 1651003400 | GEAR VL | 1 | 59 | 4026503509 | KEY 10X9X160 6604 | 4 |
| 19 | 1662500300 | HOUSING SX VL TTL | 1 | 60 | 4026713009 | MANIFOLD FLANGE VL20 DN150 | 2 |
| 19a | 1662501000 | HOUSING DX VL TTL | 1 | 61 | 4026904001 | DRAIN PLUG G1/2" | 5 |
| 20 | 1680605600 | VL 20 INLET GASKETS | 2 | | | | |
| 21 | 1680606100 | MANIFOLD FLANGE GASKET | 2 | | | | |
| 22 | 1680703500 | OIL TANK GASKET | 1 | 70 | 1608100900 | OIL DISTRIBUTOR TT | 1 |
| 23 | 1680705000 | HOUSING GASKET | 4 | 71 | 1612034100 | DISTRIBUTOR PLATE HOLDER | 1 |
| 24 | 1681005800 | PLATE SEAL | 4 | 72 | 4021102002 | PIPING Ø4 | 0,8m |
| 25 | 1684000000 | VENT G3/8" | 2 | 73 | 4026102808 | SCREW TE 8,8 M8X30 | 2 |
| 25a | 4026910001 | VENT PLUG G3/8" | 1 | 74 | 4026121306 | SCREW TCEI M6X18 | 2 |
| 26 | 1685005100 | WASHER VL | 6 | 75 | 4026905001 | PLUG G1/8" | 2 |
| 27 | 1685100200 | ALUMINIUM WASHER | 3 | 76 | 4027420517 | STRAIGHT FITTING Ø4-M5 | 12 |
| 27 | 1687100600 | OIL TANK VL | 1 | 77 | 4026135304 | SCREW S.T. M5X8 | 4 |
| 29 | 1687503300 | PUMP HOUSING VL20 | 1 | 78 | 4027421220 | FITTING 90° Ø4 M5 | 4 |
| | 1687505000 | PUMP HOUSING VL20 CERAMISED | 1 | | | | |
| 29a | 1687510600 | PUMP HOUSING WITH HOLE VL20 | 1 | | | KIT GASKET | |
| | 1687510900 | PUMP HOUSING WITH HOLE VL20 CERAM. | 1 | | | | |
| 31 | 4022200106 | SEAL RING DOMSEL AB NBR | (*) 8 | 1892001200 | KIT GASKET V7.40 TT/TTL NBR | | |
| | 4022200107 | SEAL RING DOMSEL AB VITON | (*) 8 | 1892001300 | KIT GASKET V7.40 TT/TTL VITON | | |

(*) Specify the material

VL27 TRIPLE SEAL (T.T.)

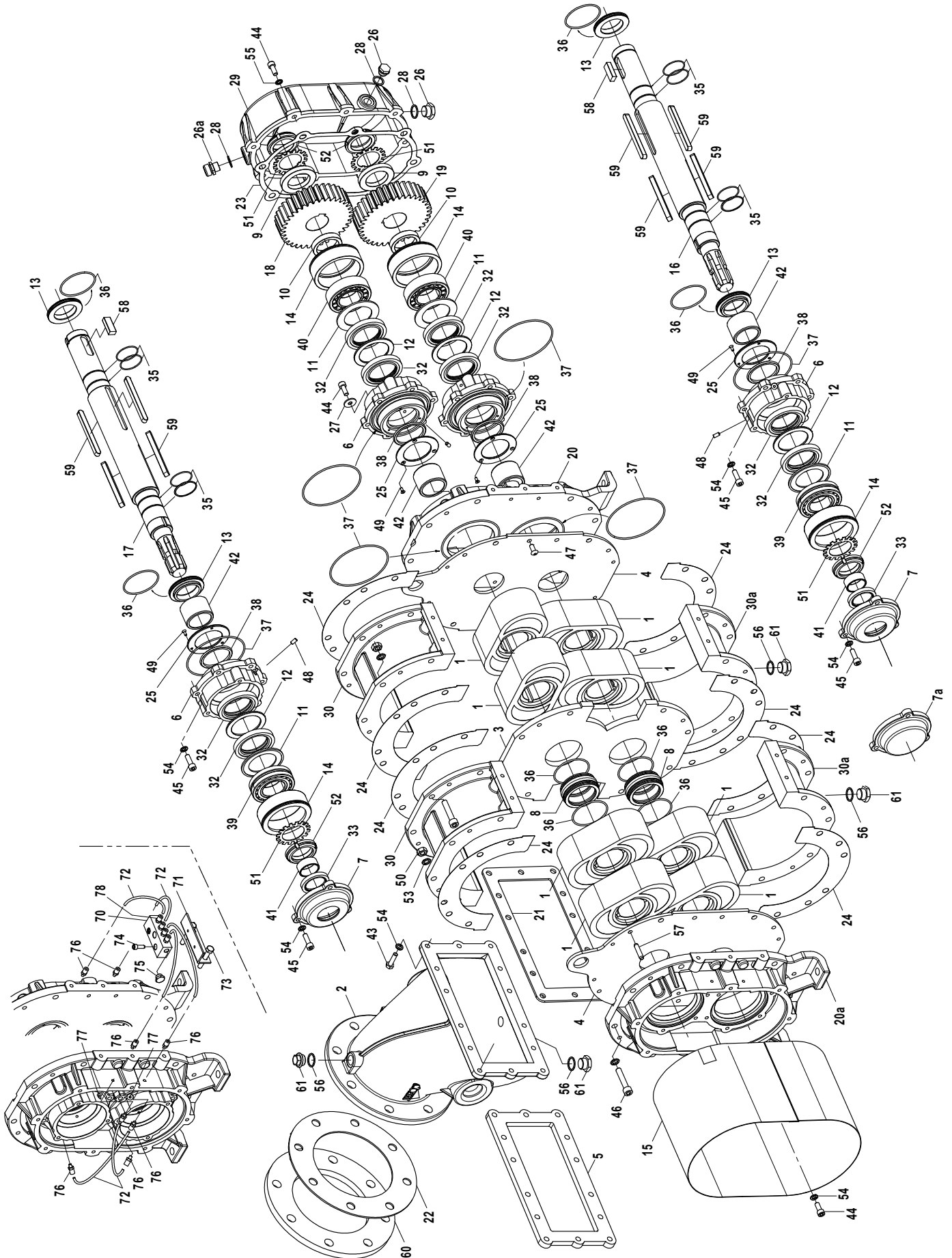


VL27 Triple Seal (T.T. – “10 bar”)

| Pos. | Code | Description | Q.ty | Pos. | Code | Description | Q.ty |
|------|------------|------------------------------------|-------|------------|------------|--------------------------------|------|
| 1 | 1503601400 | END PISTON VL NBR | (*) 8 | 36 | 4022200242 | OR 3256 | 8 |
| | 1503601600 | END PISTON VL VITON | (*) 8 | 37 | 4022200286 | OR 3450 | 8 |
| | 1503600700 | END PISTON VL EPDM | (*) 8 | 38 | 4022203206 | RING TEFLON 55X66X4,2 | 4 |
| | 1503603000 | END PISTON VL POLYURET. | (*) 8 | 39 | 4023105010 | BEARING 22209 E/C3 | 2 |
| 2 | 1627507600 | COLLECTOR VL27 DN150 PN6 | 2 | 40 | 4023110049 | BERING NU 2209 ECP | 2 |
| | 1627507900 | COLLECTOR VL27 DN150 PN6 BY-PASS | 2 | 41 | 4023130009 | BUSHING 35X40X17 IR | 2 |
| 3 | 1610009200 | CENTRAL WEAPROOF PLATE | 1 | 42 | 4023130036 | BUSHING 55X45X40 | 4 |
| | 1610014700 | WEAPROOF CENTRAL PLATE | 1 | | 1624012500 | BUSHING VL CERAMISED | 4 |
| 4 | 1610009300 | WEAPROOF PLATE | 2 | 43 | 4026102808 | SCREW TE 8,8 M8X30 | 28 |
| | 1610014600 | WEAPROOF PLATE CERAMISED | 2 | 44 | 4026121405 | SCREW TCEI 8,8 M8X20 | 18 |
| 5 | 1610011200 | IN/OUTLET FLANGE | 2 | 45 | 4026121407 | SCREW TCEI 8,8 M8X25 | 30 |
| 6 | 1610506800 | BEARING FLANGE | 4 | 46 | 4026121813 | SCREW TCEI 8,8 M8X50 | 24 |
| 7 | 1610507000 | FRONT FLANGE VL TT | 2 | 47 | 4026121504 | SCREW TBEI 10,9 M8X18 | 8 |
| 7a | 1510500100 | FRONT FLANGE VL TT BLIND | 1 | 48 | 4026136205 | SET SCREW 12,9 | 4 |
| 8 | 1624009800 | PISTONS SPACER | 2 | 49 | 4026155302 | SCREW INOX 304 TSPEI M4X10 | 12 |
| 9 | 1624009900 | GEAR PLACER | 2 | 50 | 4026308006 | NUT M10 | 24 |
| 10 | 1624012700 | SPACER VL TT | 2 | 51 | 4026306309 | SAFETY RING | 4 |
| 11 | 1624012800 | SPACER BERING VL TT | 4 | 52 | 4026306509 | SELFLOCKING RING M45X1,5 | 4 |
| 12 | 1624012900 | VL SEAL PLACER | 4 | 53 | 4026350708 | GROWER WASHER M10 | 24 |
| 13 | 1626000700 | BUSHING VL TT | 4 | 54 | 4026350706 | SPRING WASHER Ø8,4 ZINC | 62 |
| 14 | 1626000800 | BEARING BUSH | 4 | 55 | 4026351505 | SPRING WASHER M8 | 8 |
| 15 | 1642005700 | PROTECTION | 1 | 56 | 4026359003 | FLAT WASHER 21,5X26X1,5 | 6 |
| 16 | 1650008000 | LOWER AXLE VL27 D.55 | 1 | 57 | 4026410013 | ELASTIC PIN SIROL 8X36 | 12 |
| 17 | 1650008100 | UPPER AXLE VL27 D.55 | 1 | 58 | 4026501500 | KEY 14X9X36 | 2 |
| 18 | 1651002500 | TREATED GEAR VL | 1 | 59 | 4026503505 | KEY 10X9X110 | 8 |
| 19 | 1651003400 | GEAR VL | 1 | 60 | 4026713009 | MANIFOLD FLANGE VL20 DN150 | 2 |
| 20 | 16625CXSB0 | HOUSING VL TT | 2 | 61 | 4026904001 | DRAIN PLUG G1/2" | 4 |
| 21 | 1680605700 | VL 27 INLET GASKETS | 2 | | | | |
| 22 | 1680606100 | MANIFOLD FLANGE GASKET | 2 | | | | |
| 23 | 1680703500 | OIL TANK GASKET | 1 | | | | |
| 24 | 1680705000 | HOUSING GASKET | 8 | | | | |
| 25 | 1681005800 | PLATE SEAL | 4 | | | | |
| 26 | 1684000000 | VENT G3/8" | 2 | | | | |
| 26a | 4026910001 | VENT PLUG G3/8" | 1 | | | | |
| 27 | 1685005100 | WASHER VL | 6 | | | | |
| 28 | 1685100200 | ALUMINIUM WASHER | 3 | | | | |
| 29 | 1687100600 | OIL TANK VL | 1 | | | | |
| 30 | 1687503200 | PUMP HOUSING VL14 | 2 | | | KIT GASKET | |
| | 1687504900 | PUMP HOUSING VL14 CERAMISED | 2 | | | | |
| 30a | 1687510500 | PUMP HOUSING WITH HOLE VL14 | 2 | 1892001200 | | KIT GASKET V7..40 TT/TTL NBR | |
| | 1687510800 | PUMP HOUSING WITH HOLE VL14 CERAM. | 2 | 1892001300 | | KIT GASKET V7..40 TT/TTL VITON | |
| 32 | 4022200106 | SEAL RING DOMSEL AB NBR | (*) 8 | | | | |
| | 4022200107 | SEAL RING DOMSEL AB VITON | (*) 8 | | | | |
| 33 | 4022200027 | SEAL RING 55X40X8 | 2 | | | | |
| 35 | 4022200212 | OR 2162 | 8 | | | | |

(*) Specify the material

VL27 TRIPLE SEAL WITH LUBRICATION (T.T.L.)

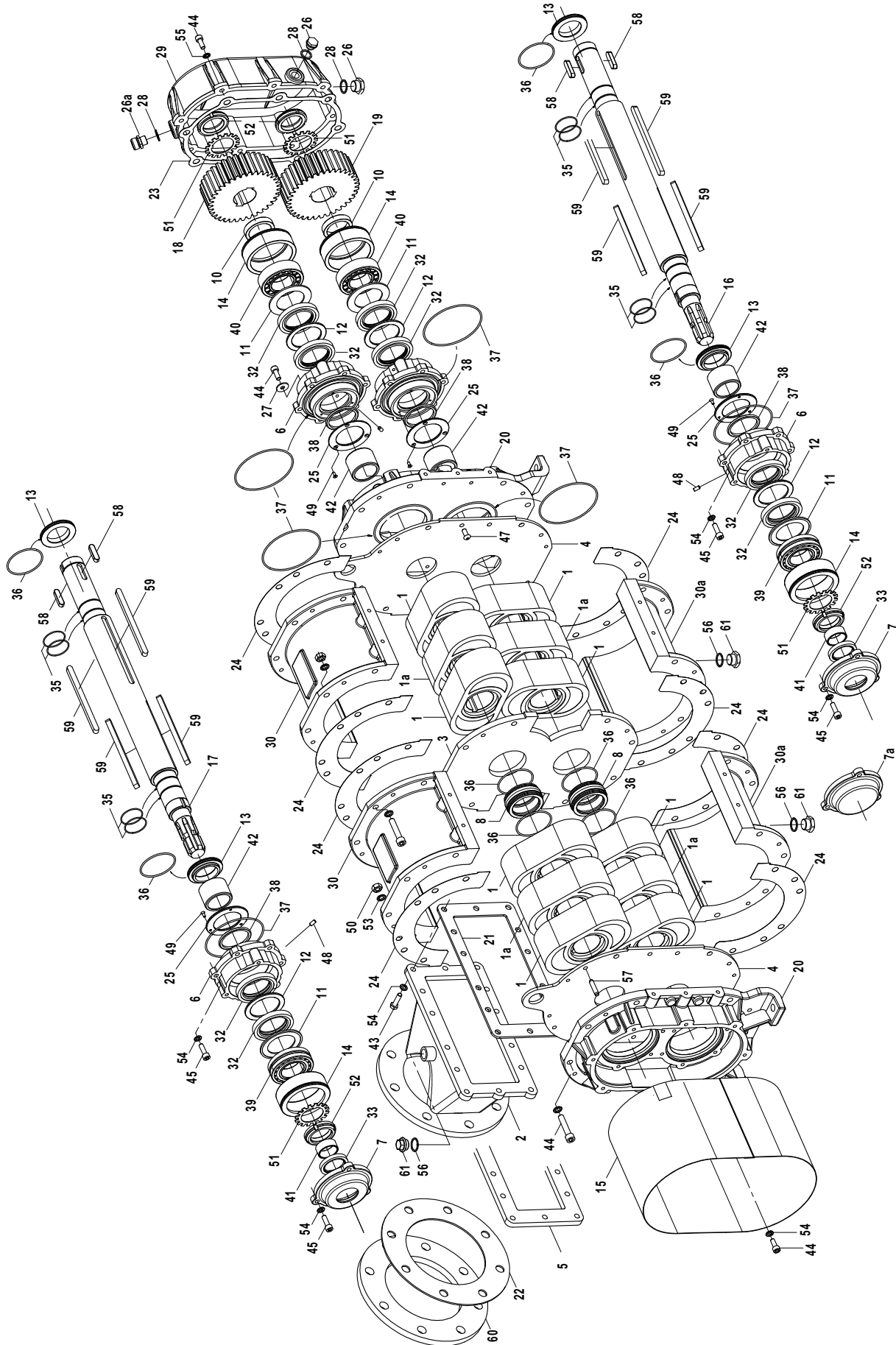


VL27 Triple seal with lubrication (T.T.L. – “10 bar – lubric.”)

| Pos. | Code | Description | Q.ty | Pos. | Code | Description | Q.ty |
|------|------------|------------------------------------|------|------------|-------------------------------|----------------------------|------|
| 1 | 1503601400 | END PISTON VL NBR (*) | 8 | 36 | 4022200242 | OR 3256 | 8 |
| | 1503601600 | END PISTON VL VITON (*) | 8 | 37 | 4022200286 | OR 3450 | 8 |
| | 1503600700 | END PISTON VL EPDM (*) | 8 | 38 | 4022203206 | RING TEFLON 55X66X4,2 | 4 |
| | 1503603000 | END PISTON VL POLYURET. (*) | 8 | 39 | 4023105010 | BEARING 22209 E/C3 | 2 |
| 2 | 1627507600 | COLLECTOR VL27 DN150 PN6 | 2 | 40 | 4023110049 | BERING NU 2209 ECP | 2 |
| | 1627507900 | COLLECTOR VL27 DN150 PN6 BY-PASS | 2 | 41 | 4023130009 | BUSHING 35X40X17 IR | 2 |
| 3 | 1610009200 | CENTRAL WEAPROOF PLATE | 1 | 42 | 4023130036 | BUSHING 55X45X40 | 4 |
| | 1610014700 | CENTRAL WEAPROOF PLATE CERAMISED | 1 | | 1624012500 | BUSHING VL CERAMISED | 4 |
| 4 | 1610009300 | WEAPROOF PLATE | 2 | 43 | 4026102808 | SCREW TE 8,8 M8X30 | 28 |
| | 1610014600 | WEAPROOF PLATE CERAMISED | 2 | 44 | 4026121405 | SCREW TCEI 8,8 M8X20 | 18 |
| 5 | 1610011200 | IN/OUTLET FLANGE | 2 | 45 | 4026121407 | SCREW TCEI 8,8 M8X25 | 30 |
| 6 | 1610509400 | BEARING FLANGE | 4 | 46 | 4026121813 | SCREW TCEI 8,8 M8X50 | 24 |
| 7 | 1610507000 | FRONT FLANGE VL TT | 2 | 47 | 4026121504 | SCREW TBEI 10,9 M8X18 | 8 |
| 7a | 1510500100 | FRONT FLANGE VL TT BLIND | 1 | 48 | 4026136205 | SET SCREW 12,9 | 4 |
| 8 | 1624009800 | PISTONS SPACER | 2 | 49 | 4026155302 | SCREW INOX 304 TSPEI M4X10 | 12 |
| 9 | 1624009900 | GEAR PLACER | 2 | 50 | 4026308006 | NUT M10 | 24 |
| 10 | 1624012700 | SPACER VL TTL | 2 | 51 | 4026306309 | SAFETY RING | 4 |
| 11 | 1624012800 | SPACER BERING VL TT | 4 | 52 | 4026306509 | SELFLOCKING RING M45X1,5 | 4 |
| 12 | 1624020000 | VL SEAL PLACER | 4 | 53 | 4026350708 | GROWER WASHER M10 | 24 |
| 13 | 1626000700 | BUSHING VL TTL | 4 | 54 | 4026350706 | SPRING WASHER Ø8,4 ZINC | 60 |
| 14 | 1626000800 | BEARING BUSH | 4 | 55 | 4026351505 | SPRING WASHER M8 | 8 |
| 15 | 1642005700 | PROTECTION | 1 | 56 | 4026359003 | FLAT WASHER 21,5X26X1,5 | 6 |
| 16 | 1650008000 | LOWER AXLE VL27 D.55 | 1 | 57 | 4026410013 | ELASTIC PIN SIROL 8X36 | 12 |
| 17 | 1650008100 | UPPER AXLE VL27 D.55 | 1 | 58 | 4026501500 | KEY 14X9X36 | 2 |
| 18 | 1651002500 | TREATED GEAR VL | 1 | 59 | 4026503505 | KEY 10X9X110 6604 | 8 |
| 19 | 1651003400 | GEAR VL | 1 | 60 | 4026713009 | MANIFOLD FLANGE VL20 DN150 | 2 |
| 20 | 1662500300 | HOUSING SX VL TTL | 1 | 61 | 4026904001 | DRAIN PLUG G1/2" | 6 |
| 20a | 1662501000 | HOUSING DX VL TTL | 1 | | | | |
| 21 | 1680605700 | VL 27 INLET GASKETS | 2 | 70 | 1608100900 | OIL DISTRIBUTOR TT | 1 |
| 22 | 1680606100 | MANIFOLD FLANGE GASKET | 2 | 71 | 1612034100 | DISTRIBUTOR PLATE HOLDER | 1 |
| 23 | 1680703500 | OIL TANK GASKET | 1 | 72 | 4021102002 | PIPING Ø4 | 0,8m |
| 24 | 1680705000 | HOUSING GASKET | 8 | 73 | 4026102808 | SCREW TE 8,8 M8X30 | 2 |
| 25 | 1681005800 | PLATE SEAL | 4 | 74 | 4026121306 | SCREW TCEI M6X18 | 2 |
| 26 | 1684000000 | VENT G3/8" | 2 | 75 | 4026905001 | PLUG G1/8" | 2 |
| 26a | 4026910001 | VENT PLUG G3/8" | 1 | 76 | 4027420517 | STRAIGHT FITTING Ø4 M5 | 12 |
| 27 | 1685005100 | WASHER VL | 6 | 77 | 4026135304 | SCREW S.T. M5X8 | 4 |
| 28 | 1685100200 | ALUMINIUM WASHER | 3 | 78 | 4027421220 | FITTING 90° Ø4 M5 | 4 |
| 29 | 1687100600 | OIL TANK VL | 1 | | | | |
| 30 | 1687503200 | PUMP HOUSING VL14 | 2 | | | | |
| | 1687504900 | PUMP HOUSING VL14 CERAMISED | 2 | | | | |
| 30a | 1687510500 | PUMP HOUSING WITH HOLE VL14 | 2 | | | KIT GASKET | |
| | 1687510800 | PUMP HOUSING WITH HOLE VL14 CERAM. | 2 | | | | |
| 32 | 4022200106 | SEAL RING DOMSEL AB NBR (*) | 8 | 1892001200 | KIT GASKET V7.40 TT/TTL NBR | | |
| | 4022200107 | SEAL RING DOMSEL AB VITON (*) | 8 | 1892001300 | KIT GASKET V7.40 TT/TTL VITON | | |
| 33 | 4022200027 | SEAL RING 55X40X8 | 2 | | | | |
| 35 | 4022200212 | OR 2162 | 8 | | | | |

(*) Specify the material

VL40 TRIPLE SEAL (T.T.)

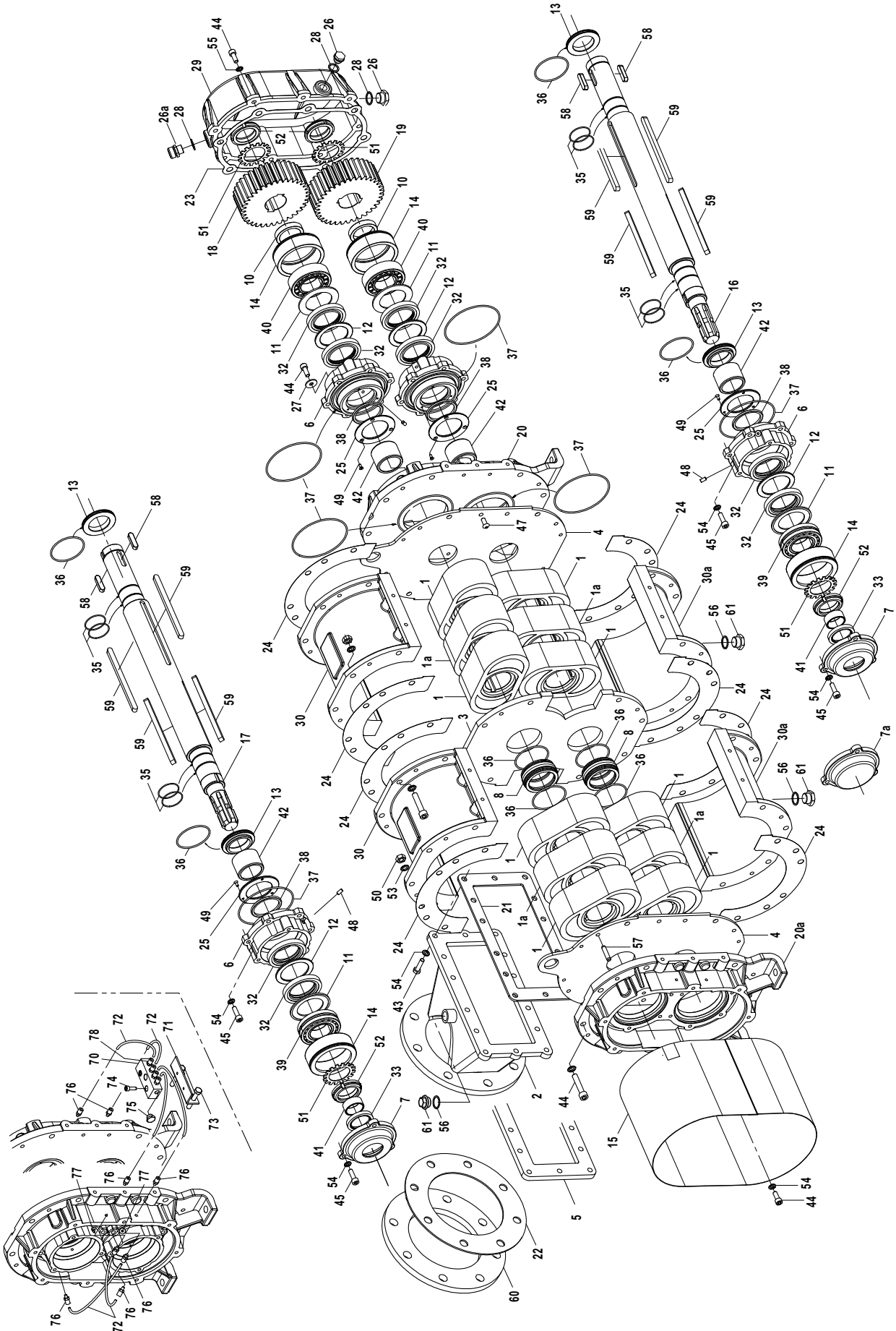


VL40 Triple Seal (T.T. – “10 bar”)

| Pos. | Code | Description | Q.ty | Pos. | Code | Description | Q.ty |
|------|------------|------------------------------------|-------|------------|------------|--------------------------------|------|
| 1 | 1503601400 | END PISTON VL NBR | (*) 8 | 33 | 4022200027 | SEAL RING 55X40X8 | 2 |
| | 1503601600 | END PISTON VL VITON | (*) 8 | 35 | 4022200212 | OR 2162 | 8 |
| | 1503600700 | END PISTON VL EPDM | (*) 8 | 36 | 4022200242 | OR 3256 | 8 |
| | 1503603000 | END PISTON VL POLYURET. | (*) 8 | 37 | 4022200286 | OR 3450 | 8 |
| 1a | 1503601500 | CENTRAL PISTON VL NBR | (*) 4 | 38 | 4022203206 | RING TEFLON 55X66X4,2 | 4 |
| | 1503601700 | CENTRAL PISTON VL VITON | (*) 4 | 39 | 4023105010 | BEARING 22209 E/C3 | 2 |
| | 1503602100 | CENTRAL PISTON VL EPDM | (*) 4 | 40 | 4023110049 | BERING NU 2209 ECP | 2 |
| | 1503602900 | CENTRAL PISTON VL POLYURET. | (*) 4 | 41 | 4023130009 | BUSHING 35X40X17 IR | 2 |
| 2 | 1526002300 | CONNECTION VL40 | 2 | 42 | 4023130036 | BUSHING 55X45X40 | 4 |
| 3 | 1610009200 | CENTRAL WEAPROOF PLATE | 1 | | 1624012500 | BUSHING VL CERAMISED | 4 |
| | 1610014700 | CENTRAL WEAPROOF PLATE CERAMISED | 1 | 43 | 4026102808 | SCREW TE 8,8 M8X30 | 28 |
| 4 | 1610009300 | WEAPROOF PLATE | 2 | 44 | 4026121405 | SCREW TCEI 8,8 M8X20 | 18 |
| | 1610014600 | WEAPROOF PLATE CERAMISED | 2 | 45 | 4026121407 | SCREW TCEI 8,8 M8X25 | 30 |
| 5 | 1610013100 | IN/OUTLET FLANGE | 2 | 46 | 4026121813 | SCREW TCEI 8,8 M8X50 | 24 |
| 6 | 1610506800 | BEARING FLANGE | 4 | 47 | 4026121504 | SCREW TBEI 10,9 M8X18 | 8 |
| 7 | 1610507000 | FRONT FLANGE VL TT | 2 | 48 | 4026136205 | SET SCREW 12,9 | 4 |
| 7a | 1510500100 | FRONT FLANGE VL TT BLIND | 1 | 49 | 4026155302 | SCREW INOX 304 TSPEI M4X10 | 12 |
| 8 | 1624009800 | PISTONS SPACER | 2 | 50 | 4026308006 | NUT M10 | 24 |
| 10 | 1624012700 | SPACER VL TT | 2 | 51 | 4026306309 | SAFETY RING | 4 |
| 11 | 1624012800 | SPACER BERING VL TT | 4 | 52 | 4026306509 | SELFLOCKING RING M45X1,5 | 4 |
| 12 | 1624012900 | VL SEAL PLACER | 4 | 53 | 4026350708 | GROWER WASHER M10 | 24 |
| 13 | 1626000700 | BUSHING VL TT | 4 | 54 | 4026350706 | SPRING WASHER Ø8,4 ZINC | 62 |
| 14 | 1626000800 | BEARING BUSH | 4 | 55 | 4026351505 | SPRING WASHER M8 | 8 |
| 15 | 1642005700 | PROTECTION | 1 | 56 | 4026359003 | FLAT WASHER 21,5X26X1,5 | 4 |
| 16 | 1650008600 | LOWER AXLE VL40 D.55 | 1 | 57 | 4026410013 | ELASTIC PIN SIROL 8X36 | 12 |
| 17 | 1650008500 | UPPER AXLE VL40 D.55 | 1 | 58 | 4026501500 | KEY 14X9X36 | 4 |
| 18 | 1651001900 | GEAR VL | 1 | 59 | 4026503505 | KEY 10X9X110 6604 | 8 |
| 19 | 1651001800 | GEAR VL | 1 | 60 | 4026713010 | FLANGE DN 175 | 2 |
| 20 | 16625CXSB0 | HOUSING VL TT | 2 | 61 | 4026904001 | DRAIN PLUG G1/2" | 6 |
| 21 | 1680606500 | VL 40 INLET GASKETS | 2 | | | | |
| 22 | 1680606600 | MANIFOLD FLANGE GASKET | 2 | | | | |
| 23 | 1680703500 | OIL TANK GASKET | 1 | | | | |
| 24 | 1680705000 | HOUSING GASKET | 8 | | | | |
| 25 | 1681005800 | PLATE SEAL | 4 | | | | |
| 26 | 1684000000 | VENT G3/8" | 2 | | | | |
| 26a | 4026910001 | VENT PLUG G3/8" | 1 | | | | |
| 27 | 1685005100 | WASHER VL | 6 | | | KIT GASKET | |
| 28 | 1685100200 | ALUMINIUM WASHER | 3 | | | | |
| 29 | 1687100600 | OIL TANK VL | 1 | 1892001200 | | KIT GASKET V7..40 TT/TTL NBR | |
| 30 | 1687503300 | PUMP HOUSING VL20 | 2 | 1892001300 | | KIT GASKET V7..40 TT/TTL VITON | |
| | 1687505000 | PUMP HOUSING VL20 CERAMISED | 2 | | | | |
| 30a | 1687510600 | PUMP HOUSING WITH HOLE VL20 | 2 | | | | |
| | 1687510900 | PUMP HOUSING WITH HOLE VL20 CERAM. | 2 | | | | |
| 32 | 4022200106 | SEAL RING DOMSEL AB NBR | (*) 8 | | | | |
| | 4022200107 | SEAL RING DOMSEL AB VITON | (*) 8 | | | | |

(*) Specify the material

VL40 TRIPLE SEAL WITH LUBRICATION (T.T.L.)

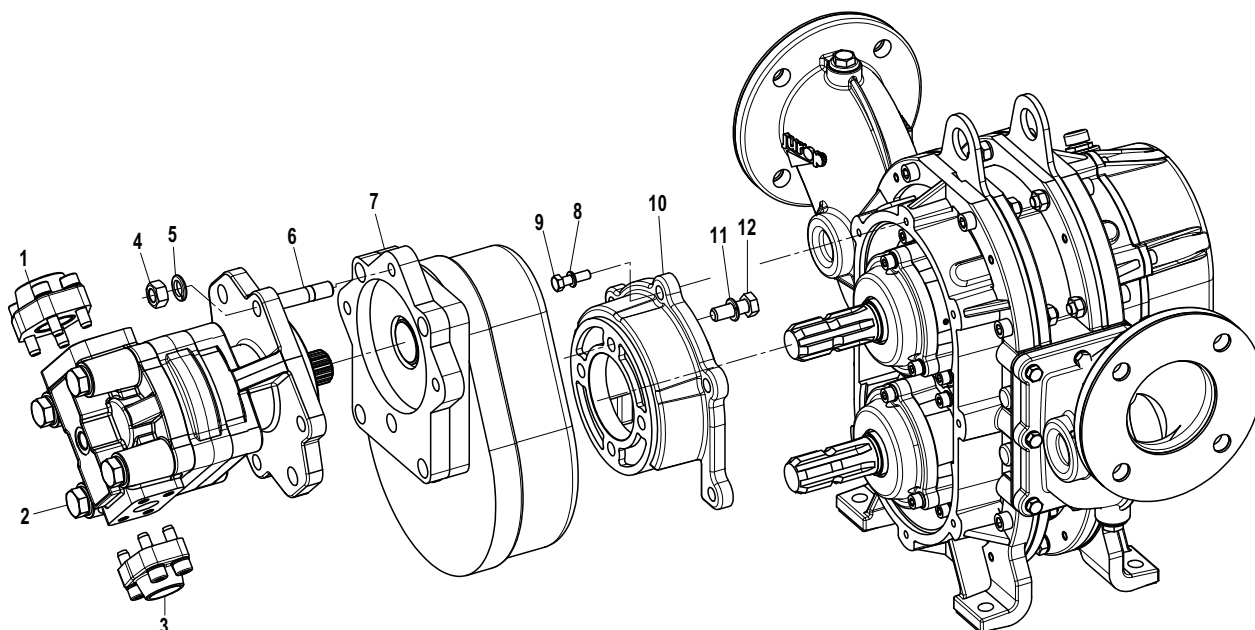


VL40 Triple seal with lubrication (T.T.L. – “10 bar – lubric.”)

| Pos. | Code | Description | Q.ty | Pos. | Code | Description | Q.ty |
|------|------------|------------------------------------|-------|------------|------------|--------------------------------|------|
| 1 | 1503601400 | END PISTON VL14 NBR | (*) 8 | 33 | 4022200027 | SEAL RING 55X40X8 | 2 |
| | 1503601600 | END PISTON VL14 VITON | (*) 8 | 35 | 4022200212 | OR 2162 | 8 |
| | 1503600700 | END PISTON VL14 EPDM | (*) 8 | 36 | 4022200242 | OR 3256 | 8 |
| | 1503603000 | END PISTON VL14 POLYURET. | (*) 8 | 37 | 4022200286 | OR 3450 | 8 |
| 1a | 1503601500 | CENTRAL PISTON VL NBR | (*) 4 | 38 | 4022203206 | RING TEFLON 55X66X4,2 | 4 |
| | 1503601700 | CENTRAL PISTON VL VITON | (*) 4 | 39 | 4023105010 | BEARING 22209 E/C3 | 2 |
| | 1503602100 | CENTRAL PISTON VL EPDM | (*) 4 | 40 | 4023110049 | BERING NU 2209 ECP | 2 |
| | 1503602900 | CENTRAL PISTON VL POLYURET. | (*) 4 | 41 | 4023130009 | BUSHING 35X40X17 IR | 2 |
| 2 | 1526002300 | CONNECTION VL40 | 2 | 42 | 4023130036 | BUSHING 55X45X40 | 4 |
| 3 | 1610009200 | CENTRAL WEAPROOF PLATE | 1 | | 1624012500 | BUSHING VL CERAMISED | 4 |
| | 1610014700 | CENTRAL WEAPROOF PLATE CERAMISED | 1 | 43 | 4026102808 | SCREW TE 8,8 M8X30 | 28 |
| 4 | 1610009300 | WEAPROOF PLATE | 2 | 44 | 4026121405 | SCREW TCEI 8,8 M8X20 | 18 |
| | 1610014600 | WEAPROOF PLATE CERAMISED | 2 | 45 | 4026121407 | SCREW TCEI 8,8 M8X25 | 30 |
| 5 | 1610013100 | IN/OUTLET FLANGE | 2 | 46 | 4026121813 | SCREW TCEI 8,8 M8X50 | 24 |
| 6 | 1610509400 | BEARING FLANGE | 4 | 47 | 4026121504 | SCREW TBEI 10,9 M8X18 | 8 |
| 7 | 1610507000 | FRONT FLANGE VL TT | 2 | 48 | 4026136205 | SET SCREW 12,9 | 4 |
| 7a | 1510500100 | FRONT FLANGE VL TT BLIND | 1 | 49 | 4026155302 | SCREW INOX 304 TSPEI M4X10 | 12 |
| 8 | 1624009800 | PISTONS SPACER | 2 | 50 | 4026308006 | NUT M10 | 24 |
| 10 | 1624012700 | SPACER VL TT | 2 | 51 | 4026306309 | SAFETY RING | 4 |
| 11 | 1624012800 | SPACER BERING VL TT | 4 | 52 | 4026306509 | SELFLOCKING RING M45X1,5 | 4 |
| 12 | 1624020000 | VL SEAL PLACER | 4 | 53 | 4026350708 | GROWER WASHER M10 | 24 |
| 13 | 1626000700 | BUSHING VL TTL | 4 | 54 | 4026350706 | SPRING WASHER Ø8,4 ZINC | 62 |
| 14 | 1626000800 | BEARING BUSH | 4 | 55 | 4026351505 | SPRING WASHER M8 | 8 |
| 15 | 1642005700 | PROTECTION | 1 | 56 | 4026359003 | FLAT WASHER 21,5X26X1,5 | 4 |
| 16 | 1650008600 | LOWER AXLE VL40 D.55 | 1 | 57 | 4026410013 | ELASTIC PIN SIROL 8X36 | 12 |
| 17 | 1650008500 | UPPER AXLE VL40 D.55 | 1 | 58 | 4026501500 | KEY 14X9X36 | 4 |
| 18 | 1651001900 | GEAR VL | 1 | 59 | 4026503505 | KEY 10X9X110 6604 | 8 |
| 19 | 1651001800 | GEAR VL | 1 | 60 | 4026713010 | FLANGE DN 175 | 2 |
| 20 | 1662500300 | HOUSING SX VL TTL | 1 | 61 | 4026904001 | DRAIN PLUG G1/2" | 6 |
| 20a | 1662501000 | HOUSING DX VL TTL | 1 | | | | |
| 21 | 1680606500 | VL 40 INLET GASKETS | 2 | | | | |
| 22 | 1680606600 | MANIFOLD FLANGE GASKET | 2 | 70 | 1608100900 | OIL DISTRIBUTOR TT | 1 |
| 23 | 1680703500 | OIL TANK GASKET | 1 | 71 | 1612034100 | DISTRIBUTOR PLATE HOLDER | 1 |
| 24 | 1680705000 | HOUSING GASKET | 8 | 72 | 4021102002 | PIPING Ø4 | 0,8m |
| 25 | 1681005800 | PLATE SEAL | 4 | 73 | 4026102808 | SCREW TE 8,8 M8X30 | 2 |
| 26 | 1684000000 | VENT G3/8" | 2 | 74 | 4026121306 | SCREW TCEI M6X18 | 2 |
| 26a | 4026910001 | VENT PLUG G3/8" | 1 | 75 | 4026905001 | PLUG G1/8" | 2 |
| 27 | 1685005100 | WASHER VL | 6 | 76 | 4027420517 | STRAIGHT FITTING Ø4 M5 | 12 |
| 28 | 1685100200 | ALUMINIUM WASHER | 3 | 77 | 4026135304 | SCREW S.T. M5X8 | 4 |
| 29 | 1687100600 | OIL TANK VL | 1 | 78 | 4027421220 | FITTING 90° Ø4 M5 | 4 |
| 30 | 1687503300 | PUMP HOUSING VL20 | 2 | | | | |
| | 1687505000 | PUMP HOUSING VL20 CERAMISED | 2 | | | KIT GASKET | |
| 30a | 1687510600 | PUMP HOUSING WITH HOLE VL20 | 2 | | | | |
| | 1687510900 | PUMP HOUSING WITH HOLE VL20 CERAM. | 2 | 1892001200 | | KIT GASKET V7..40 TT/TTL NBR | |
| 32 | 4022200106 | SEAL RING DOMSEL AB NBR | (*) 8 | 1892001300 | | KIT GASKET V7..40 TT/TTL VITON | |
| | 4022200107 | SEAL RING DOMSEL AB VITON | (*) 8 | | | | |

(*) Specify the material

GROUP HDR FOR VL7 – VL14 – VL20 – VL27 – VL40



Hydraulic transmission VL7 5bar – cod. 18030 140 00

| Pos. | Code | Description | Q.ty |
|------|------------|-------------------|------|
| 1 | 4026711003 | MOTOR FLANGE | 1 |
| 2 | 4024107005 | MOTOR HDR | 1 |
| 3 | 4026711002 | MOTOR FLANGE | 1 |
| 4 | 4026308008 | MUT M14 | 4 |
| 5 | 4026350710 | GROWER WASHER M14 | 4 |
| 6 | 4026171304 | SCREW M14X30 | 4 |

| Pos. | Code | Description | Q.ty |
|------|------------|-----------------------|------|
| 7 | 4025800302 | GEARBOX | 1 |
| 8 | 4026350706 | SPRING WASHER M8 ZINC | 5 |
| 9 | 4026102808 | SCREW TE 8,8 M8X30 | 5 |
| 10 | 1612501600 | HDR BOX | 1 |
| 11 | 4026350709 | GROWER WASHER M12 | 4 |
| 12 | 4026103003 | SCREW M12X25 | 4 |

Hydraulic transmission VL14 5bar – cod. 18030 141 00

| Pos. | Code | Description | Q.ty |
|------|------------|-------------------|------|
| 1 | 4026711003 | MOTOR FLANGE | 1 |
| 2 | 4024107008 | MOTOR HDR | 1 |
| 3 | 4026711002 | MOTOR FLANGE | 1 |
| 4 | 4026308008 | MUT M14 | 4 |
| 5 | 4026350710 | GROWER WASHER M14 | 4 |
| 6 | 4026171304 | SCREW M14X30 | 4 |

| Pos. | Code | Description | Q.ty |
|------|------------|-----------------------|------|
| 7 | 4025800302 | GEARBOX | 1 |
| 8 | 4026350706 | SPRING WASHER M8 ZINC | 5 |
| 9 | 4026102808 | SCREW TE 8,8 M8X30 | 5 |
| 10 | 1612501600 | HDR BOX | 1 |
| 11 | 4026350709 | GROWER WASHER M12 | 4 |
| 12 | 4026103003 | SCREW M12X25 | 4 |

Hydraulic transmission VL20 5bar – cod. 18030 142 00

| Pos. | Code | Description | Q.ty |
|------|------------|-------------------|------|
| 1 | 4026711004 | MOTOR FLANGE | 1 |
| 2 | 4024107009 | MOTOR HDR | 1 |
| 3 | 4026711003 | MOTOR FLANGE | 1 |
| 4 | 4026308008 | MUT M14 | 4 |
| 5 | 4026350710 | GROWER WASHER M14 | 4 |
| 6 | 4026171304 | SCREW M14X30 | 4 |

| Pos. | Code | Description | Q.ty |
|------|------------|-----------------------|------|
| 7 | 4025800302 | GEARBOX | 1 |
| 8 | 4026350706 | SPRING WASHER M8 ZINC | 5 |
| 9 | 4026102808 | SCREW TE 8,8 M8X30 | 5 |
| 10 | 1612501600 | HDR BOX | 1 |
| 11 | 4026350709 | GROWER WASHER M12 | 4 |
| 12 | 4026103003 | SCREW M12X25 | 4 |

Hydraulic transmission VL27 5bar – cod. 18030 143 00

| Pos. | Code | Description | Q.ty | Pos. | Code | Description | Q.ty |
|------|------------|-------------------|------|------|------------|-----------------------|------|
| 1 | - | | 1 | 7 | 4025800302 | GEARBOX | 1 |
| 2 | 4024107001 | MOTOR HDR | 1 | 8 | 4026350706 | SPRING WASHER M8 ZINC | 5 |
| 3 | - | | 1 | 9 | 4026102808 | SCREW TE 8,8 M8X30 | 5 |
| 4 | 4026308008 | MUT M14 | 4 | 10 | 1612501600 | HDR BOX | 1 |
| 5 | 4026350710 | GROWER WASHER M14 | 4 | 11 | 4026350709 | GROWER WASHER M12 | 4 |
| 6 | 4026171304 | SCREW M14X30 | 4 | 12 | 4026103003 | SCREW M12X25 | 4 |

Hydraulic transmission VL40 3bar – cod. 18030 144 00

| Pos. | Code | Description | Q.ty | Pos. | Code | Description | Q.ty |
|------|------------|-------------------|------|------|------------|-----------------------|------|
| 1 | - | | 1 | 7 | 4025800302 | GEARBOX | 1 |
| 2 | 4024107001 | MOTOR HDR | 1 | 8 | 4026350706 | SPRING WASHER M8 ZINC | 5 |
| 3 | - | | 1 | 9 | 4026102808 | SCREW TE 8,8 M8X30 | 5 |
| 4 | 4026308008 | MUT M14 | 4 | 10 | 1612501600 | HDR BOX | 1 |
| 5 | 4026350710 | GROWER WASHER M14 | 4 | 11 | 4026350709 | GROWER WASHER M12 | 4 |
| 6 | 4026171304 | SCREW M14X30 | 4 | 12 | 4026103003 | SCREW M12X25 | 4 |

Note: See manufacturers catalogue for torques