

ERSATZTEILE

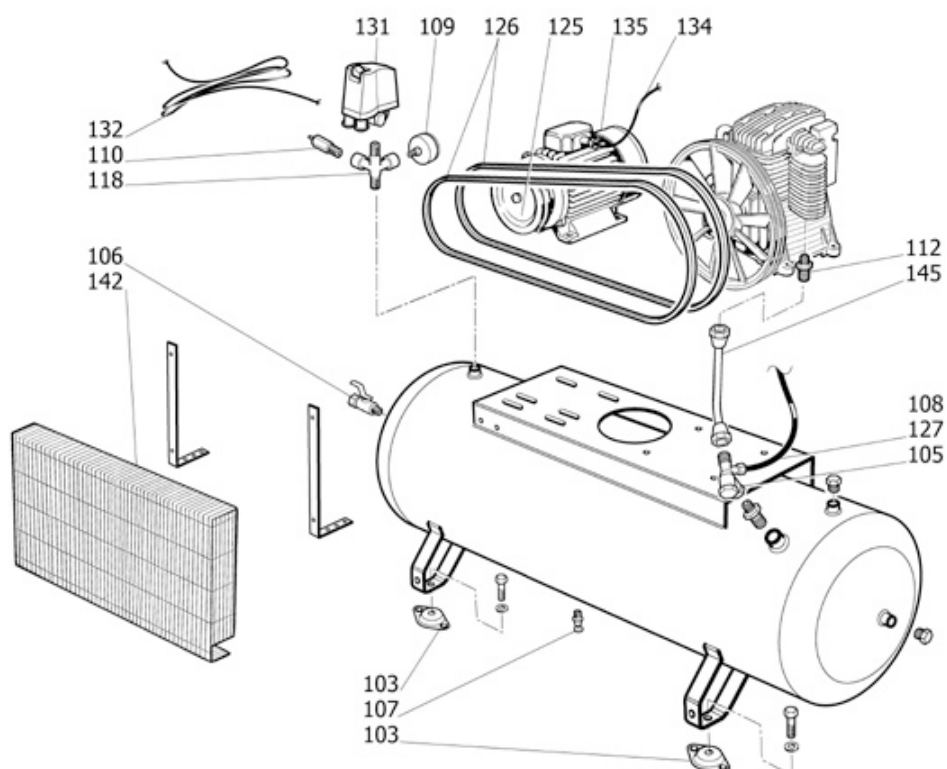
KOMPRESSOR OMA F10N



Information

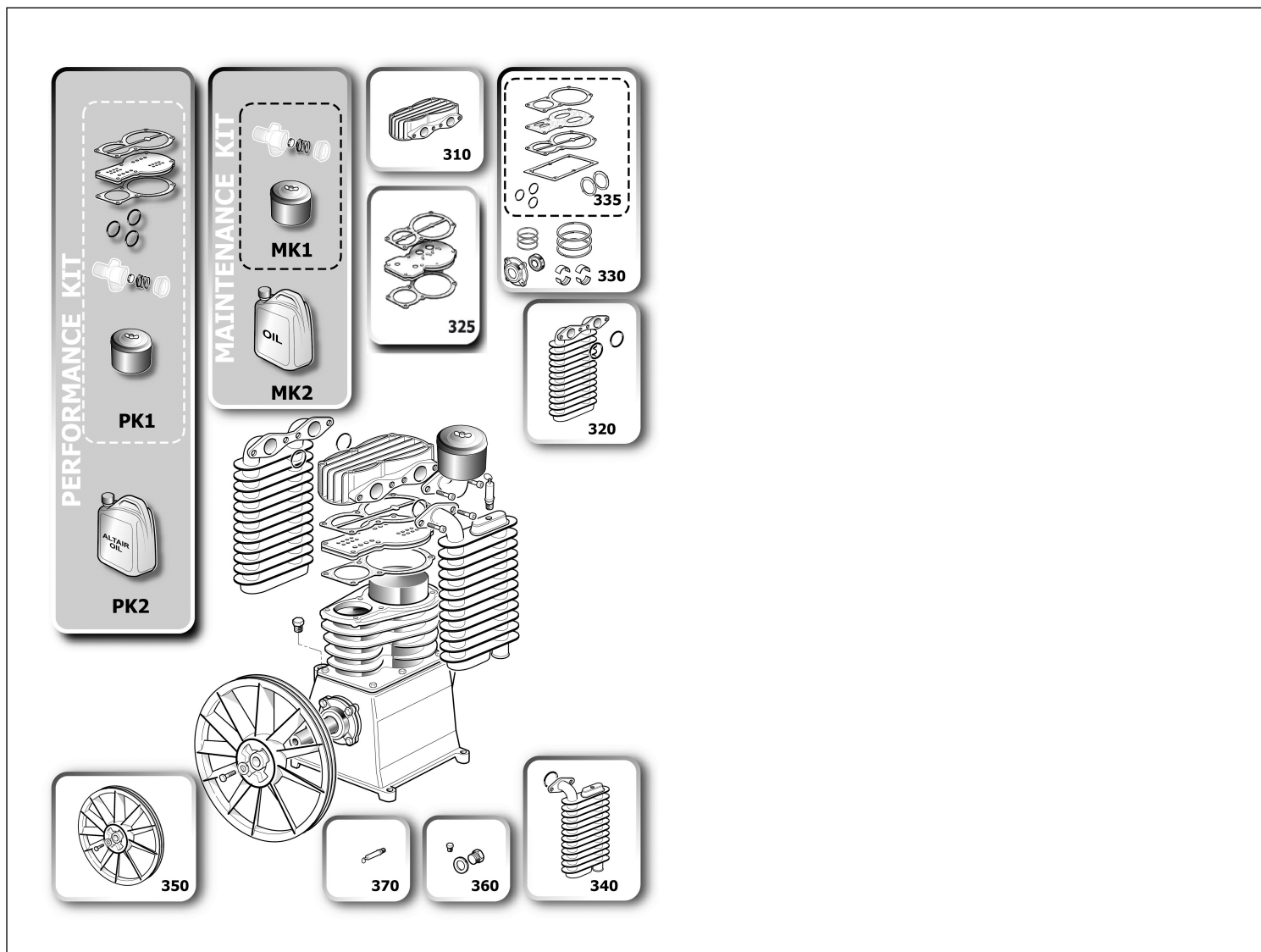
Serialnumber _____ ABAC Code 4116019373 Description FT4/NS39/200 15B KELL. 1015046

Production date 22/06/2015



Part

Nr.	Item	Description	Q.ty
99	6218739900	Pump	1.00 PC
100	2236100168	Plug -receiver	2.00 PC
103	2236102666	Pivot wheel - front pin	1.00 PC
105	6210718500	Non return valve	1.00 PC
106	6210720200	Tap	1.00 PC
107	2236111480	Drain tap	1.00 PC
109	6214343200	Gauge	1.00 PC
110	6210719800	Safety valve	1.00 PC
112	6231943400	Fitting	1.00 PC



Part

Nr.	Item	Description	Q.ty
310	2901324971	Cylinder head kit	1.00 PC
320	2901324972	Cooler kit	1.00 PC
330	6229018500	Upgrade kit	1.00 PC
335	2901323578	Joints kit	1.00 PC
340	2901324973	Aftercooler kit	1.00 PC
350	6229018800	Flywheel kit	1.00 PC
360	2901324954	Oil level kit	1.00 PC
370	2901324974	Safety valve kit	1.00 PC
MK1	8973037875	SERVICE KIT LIGHT	1.00 PC

